

TAPEPRO

DRYWALL TOOLS®



INNOVATIVE ENGINEERING

www.tapepro.com

AUTOMATIC TAPING TOOLS

INTRODUCTION

Tapepro Drywall Tools proudly offers contractors and distributors worldwide the finest automatic taping tools on the market for finishing joints in plasterboard construction. Tapepro tools are designed to produce a professional finish while reducing work fatigue and increasing productivity to work 3 to 4 times faster than setting by hand.

The Tapepro line of tools incorporates design expertise that provides the contractor with greater durability and reliability. At Tapepro Drywall Tools we stand by our tools and proudly offer a 3 year warranty.

Tapepro Drywall Tool Company is dedicated to developing and manufacturing the worlds' leading Automatic Drywall Tools.



Finest automatic taping tools on the market for finishing joints in plasterboard construction



Through continuous Research and Development, stringent Quality Control and the largest after market technical support program available, Tapepro Drywall Tool Company is committed to providing contractors worldwide with tools to give them the "Professional Edge".

Tapepro offers a full range of training and technical advice and every tool can be serviced and repaired in Australia.

All of our tools and equipment can be purchased through our distributors.



TABLE OF CONTENTS

TAPING TOOLS

AUTOMATIC TAPER 2-3

MUD BOXES 4

LOADING & FILLING

LOADING PUMP 5

FLAT APPLICATOR COMPOUND TUBE 5

FLAT FINISHING

BOOSTER AUTOMATIC BOXES 6

BLUE2 FLAT BOXES 7

T2 FLAT BOXES 7

FLAT BOX HANDLES

PRO-REACH SUPERLITE FLAT BOX HANDLE 8

SUPERLITE FLAT BOX HANDLE 8

TWISTER HANDLE 9

PROREACH EXTENDABLE HANDLE 10

FIXED FLAT BOX HANDLES 10

NAIL SPOTTERS 11

FLAT BOX ACCESSORIES 11

CORNER FINISHING

INSIDE CORNER ROLLER 12

STRAIGHT GLAZERS 12

GLIDER GLAZERS 13

PROREACH HANDLE 13

CORNER FINISHER HANDLE 14

COMPOUND APPLICATOR TUBE 14

COMPOUND APPLICATOR ATTACHMENTS 15

CORNER BOX 16

CORNER FINISHERS 17

CORNER GLAZER 18

CORNICE HEADS 18

OUTSIDE CORNER ROLLER 19

CASES & KITS

TAPEPRO CASES 20

BOXER KITS 21

SLAYER CORNER KIT 22

REPAIR KITS AND PARTS 23

PACKAGED PARTS 24

DIAGRAMS 25-46



Tapepro is an agile and innovative company that strives to respond to customer's needs



Tom Gill

Manager

Tapepro Drywall Tools

AUTOMATIC TAPING TOOLS

TAPING TOOLS



AT-SL

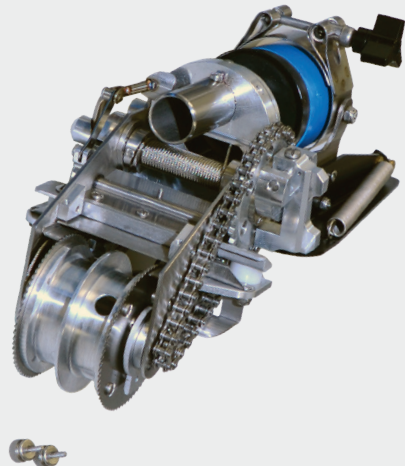
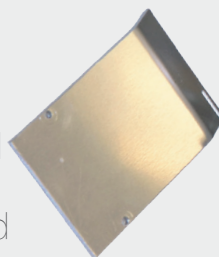
SUPERLITE
AUTOMATIC TAPER

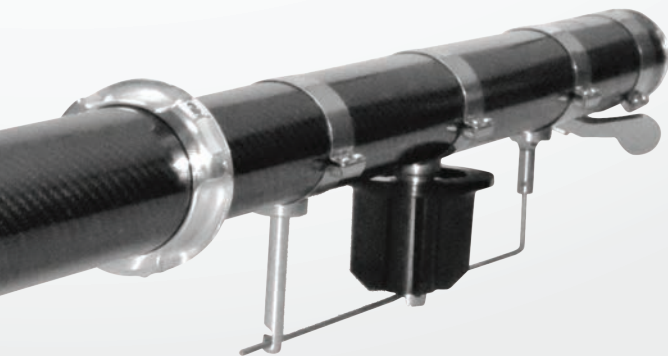


The Automatic Taper has long been regarded as the pinnacle of taping machines, and the SuperLite Auto Taper expands the SuperLite range.



Speed up taping with a precision designed automatic taping tool that simultaneously applies joint tape and compound to flat and internal joints.





Tapepro Drywall Tools introduced the first carbon fibre plastering tools with the SuperLite range of flat box handles in 2015.

The new SuperLite taper has many new features including:

- Carbon fibre main tube with reinforced section for quick release head
- Light weight titanium side plates
- Carbon fibre control tube
- Billet aluminium control rings with integrated pull ring
- Adjustable control tube rollers
- Anodised cover plate

AUTOMATIC TAPER

Tapepro combines precision engineering, superior design features and high quality materials to create the fastest and best Automatic Taper on the market.

Code	Barcode	Description
AT-2000	9315778995856	Automatic Taper
LP-EZ	9315778990561	Loading Pump
GS	9315778994033	Goose Neck
AT-SL	9315778002752	Automatic Taper
AT-S	9315778003070	Auto Taper - Short (42.25")



2.7 litres



Three year limited warranty



Quick release head and easy to remove cover plate



Can be used with Base (chemical setting) compounds



Tape coat



Parts Diagram Available

AT-2000



Joint Compound consistency is an important part of achieving a good finish. Automatic taping tools require a thinner compound (more water) than setting by hand. The consistency should be smooth and creamy; slightly thinner for taping, slightly thicker for finishing. Ensure you follow manufacturer's recommendations.



- Quality, hard wearing components
- Easy to adjust backup roller tension
- Simple to use control tube with pull ring
- Removeable head for easy cleaning
- Fill using the Loading Pump (LP-EZ) and Goose Neck Nozzle (GS)

AUTOMATIC TAPING TOOLS

MUD BOXES

The Tapepro Mud Boxes are the definition of tough mudders. They're constructed from robust materials like stainless steel and industrial plastics making them extremely hard wearing. The simple "mud bath" design makes the Mud Box® the fastest taping tool to learn and the easiest to use.

WMB-L

- Combined creaser / cutter
- Mud flow adjuster
- Can be filled with Loading Pump (LP-EZ) and Flat Box Filler (FBF), using the MudShark (FA-CT) or by hand



MBP

- Separate creaser / cutter
- Rear controls for creaser/ cutter
- Mud flow adjuster
- Can be filled with Loading Pump (LP-EZ) and Flat Box Filler (FBF), using the MudShark (FA-CT) or by hand



Can be used with Base (chemical setting) compounds



2.5 litres



Three year limited warranty



Tape coat



Parts Diagram Available

WATCH ON



Code	Barcode	Description
WMB-L	9315778994606	Mud Box® Original
MBP	9315778997898	Mud Box® Pro

LOADING & FILLING

Make taping and finishing even faster by adding an automatic filling tool to your system.

LOADING PUMP

Meet the industry's toughest loading pump. The Tapepro Pump is easy to use, fast to clean and speeds up the taping and finishing process.



Code	Barcode	Description
LP-EZ	9315778990561	Loading Pump
FBF	9315778990899	Flat Box Filler
GS	9315778994033	Goose Neck

- Rugged aluminium and stainless steel components
- No prime with valve spring
- Pump screen to filter out any lumps
- Encapsulated "O" ring for a superior seal under pressure
- Quick release foot valve
- Fill a multitude of tools. Add the Goose Neck (GS) to fill the Automatic Taper (AT-2000) and the Compound Applicator Tube (CA-T / CA-T24). Fit the Flat Box Filler (FBF) to fill Mud Boxes (WMB-L / MBP), Flat Boxes (AB-*** / FFB-*** / T-***), Corner Box (CA-H/CA-XH) and Nail Spotters (NS-H** / NS-XH-**))



Quick release pump head clips



Filling tool



PAGE 47
Parts Diagram Available



Can be used with Base (chemical setting) compounds



Three year limited warranty



FLAT APPLICATOR COMPOUND TUBE

The Flat Applicator Compound Tube is a fast, no fuss solution to filling Flat Boxes and Mud Boxes. It can also be used to fill the recess in flat joints. Draws compound up directly from the bucket and pumps straight into the tool.

- Part of the versatile Compound Applicator system
- Hard wearing, powder coated main tube and industrial plastic head
- High flow nozzle with mud wings
- Draws compound straight from bucket
- Fill both Mud Boxes and Flat Boxes

Code	Barcode
FA-CT	9315778999298



Filling tool



Quick release nozzle and piston rod



2.23 litres



Three year limited warranty



Applies 1st coat



PAGE 30
Parts Diagram Available



AUTOMATIC TAPING TOOLS

FLAT FINISHING

Achieve the perfect machine finish on your flat joints and perfect coverage over your screws fast with Tapepro's range of flat finishing tools. Flat Boxes are easy to use, provide a great finish and are the perfect place to start when investing in Automatic Taping Tools.

BOOSTER® AUTOMATIC BOXES

Tapepro Booster® Automatic Boxes are Flat Boxes - with a difference. The Booster Auto boxes have reverse springs which help force out the joint compound. This reduces the effort required and is particularly handy for out of position or difficult to reach areas. They're designed to take the force out of flat finishing particularly when finishing very high or low flat joints or vertical joints



Code	Barcode	Size
AB-200	9315778001243	200mm
AB-250	9315778001250	250mm
AB-300	9315778001267	300mm



AB-300

- Tough marine grade anodised aluminium box body
- High quality components
- Easy to operate
- Reverse springs force compound out of the box
- Reduces fatigue
- Can be filled by hand or faster with the Loading Pump (LP-EZ) and Filler Nozzle (FBF) / MudShark (FA-CT)
- Compatible with Flat Box Bead Guides (FBBG) and all Tapepro Flat Box Handles



AB-300



Fast flat finishing



Lid opens wide for easy access and cleaning



Spring loaded lid



**200mm 1.34 litres
250mm 1.68 litres
300mm 2.01 litres**



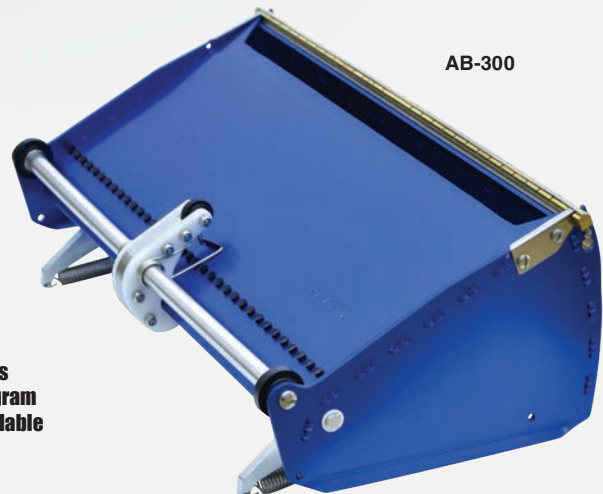
Spare parts and service available



Three year limited warranty



Parts Diagram Available





BLUE2 FLAT BOXES®

Finish fast with Tapepro's true blue flat finishing tools - the Blue2 Flat Boxes®. The Blue2 boxes produce a smooth machine finish on flat joints quickly and easily.



FFB-200

Code	Barcode	Size
FFB-200	9315778990905	200mm
FFB-250	9315778990912	250mm
FFB-300	9315778990929	300mm

- Anodised marine grade aluminium peened together for maximum durability
- Precision adjustments for perfect compound coverage
- Fixed axle with wheels that run inside the blade width
- Can be filled by hand or faster with the Loading Pump (LP-EZ) and Filler Nozzle (FBF) / MudShark (FA-CT)
- Compatible with Recess Plate (RP-200), Flat Box Bead Guides (FBBG) and all Tapepro Flat Box Handles



Spare parts and service available



PAGE 34 Parts Diagram Available



Fast flat finishing



Lid opens wide for easy access and cleaning



Three year limited warranty



**200mm 1.34 litres
250mm 1.68 litres
300mm 2.01 litres**



T-200

T2 FLAT BOXES®

Apply the perfect finishing coats to flat joints with the sleek T2 Flat Box range. T2 boxes are easy to learn and produce the perfect crown and feather - fast.

Code	Barcode	Size
T-150	9315778002271	150mm
T-200	9315778001564	200mm
T-250	9315778001571	250mm
T-300	9315778001588	300mm



- Constructed from hard wearing materials such as marine grade aluminium and stainless steel
- Easy to learn and use
- Fixed axle with wheels that run inside the blade width
- Can be filled by hand or faster with the Loading Pump (LP-EZ) and Filler Nozzle (FBF) / MudShark (FA-CT)
- Compatible with Recess Plate (RP-200), Flat Box Bead Guides (FBBG) and all Tapepro Flat Box Handles



Spare parts and service available



Fast flat finishing



Lid opens wide for easy access and cleaning



PAGE 36 Parts Diagram Available



Three year limited warranty



**200mm 1.34 litres
250mm 1.68 litres
300mm 2.01 litres**

WATCH ON



AUTOMATIC TAPING TOOLS

PRO-REACH SUPERLITE FLAT BOX HANDLE

FHX-SL

Quite possibly the best looking Extendable Handle ever... The Superlite ProReach isn't all about looks though - it's almost 15% lighter than the traditional FHX, it's robust and an exceptional performer.

- Filament wound carbon fibre tube for non-slip grip
- Precision machined head assembly
- Improved pressed and screwed handle to head connection
- Lighter weight hollow stainless steel pivot pin
- Reliable "all position" brake
- Weighs just 1.2kg
- Extends from 980-1600mm with 4 locking positions
- Compatible with all Tapepro Flat Boxes

Code	Barcode	Size
FHX-SL	9315778001748	980-1600mm



15% lighter*



4 set locking points



Fast flat finishing



Spare parts and service available



Three year limited warranty



Extendable handle

PAGE 33

Parts Diagram Available

SUPERLITE FLAT BOX HANDLE

Tapepro has combined precision engineering with quality materials to produce the first carbon fibre Flat Box Handle. The SuperLite handles weigh *40% less than the traditional range of Flat Box Handles with a sleek appearance.

- Sleek, lightweight carbon fibre handle tube
- Improved pressed and screwed head assembly
- Precision machined head
- Lighter weight hollow stainless steel pivot pin
- Available in two fixed lengths
- Compatible with all Tapepro Flat Boxes



FHSL-900



40% lighter*



Fast flat finishing



Three year limited warranty



Fixed handle



Spare parts and service available



PAGE 33 Parts Diagram Available

Code	Barcode	Size
FHSL-900	9315778001595	900mm
FHSL-1200	9315778001601	1200mm

SUPERLITE
FLAT BOX HANDLES

* when compared to a Tapepro traditional fixed Flat Box handle in the same size

TWISTER® HANDLE

Twist your handle - not your body. Adjust the angle of your Flat Box to suit you with the Twister® swivel head. The Twister® helps reduce fatigue - particularly when finishing joints at unusual heights.

Code	Barcode	Description	Size
FHX-T	9315778000314	Twister Flat Box Handle	980-1600mm
TSP	9315778000321	Twister Swivel Plate	

- Four handles in one! The handle extends from 980-1600mm with four locking positions
- Comfortable handle tubes with ergonomic grip
- Twister Swivel Plate (TSP) is compatible and can be retrofitted to Tapepro's ProReach® Handle (FHX) and each of the fixed Handles (FFBH-****)
- Brake engages at any angle
- Anodised head assembly for premium wear resistance
- Patented "Twister" swivel head that you can adjust to suit the joint
- Weighs just 1.5kgs
- Compatible with all Tapepro Flat Boxes



Twister "swivel" head



Spare parts and service available



Three year limited warranty



Fast flat finishing



Extendable handle

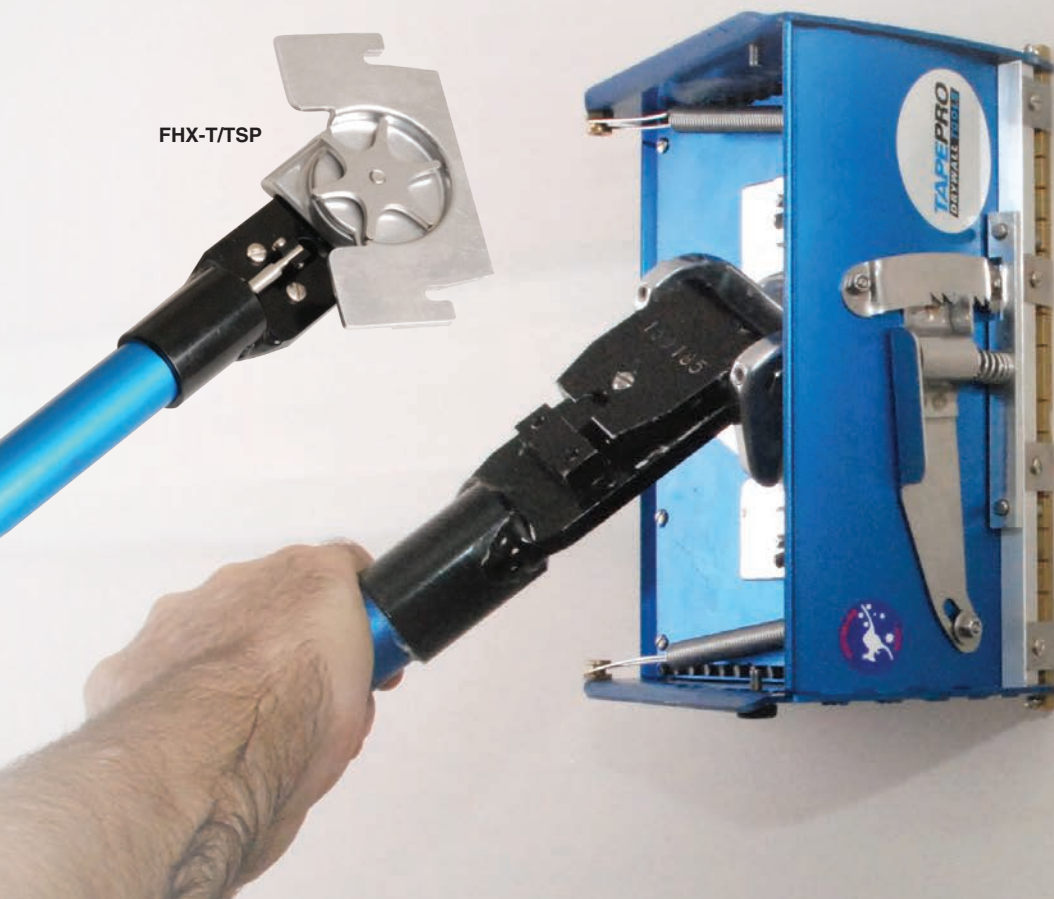


PAGE 31
Parts Diagram Available

WATCH ON



FHX-T/TSP



AUTOMATIC TAPING TOOLS

FLAT BOX HANDLE BRAKELESS

Tapepro flat box handles have always featured a locking screw to increase friction or lock the head. As an economical alternative, the brakeless handle uses this feature as the only mechanism. There is no grip or cam to operate the brake, you just tighten the knob on the head to increase friction.

A tighter friction setting will allow you to sweep the flat box wheels off the wall when finishing joints (similar to a nail spotter brake), and maintain control of the box position when off the wall. Screw in extensions can be used to increase length (HE-600, HE-1200).

- 1m length
- Light weight 0.8kg
- Low profile locking knob

Code	Barcode	Size
FH-1	9315778003087	1000mm



FH-1

3 Three year limited warranty

↓ Fixed handle

↗ Fast flat finishing

PROREACH® EXTENDABLE HANDLE

Get four Flat Box Handles in one with the ProReach Extendable Handle from Tapepro. Same look and feel as fixed length handles, great for walls and ceilings.

Code	Barcode	Size
FHX	9315778998260	980-1600mm



FHX

PROREACH
EXTENDABLE HANDLES

- Extends from 980-1600mm with 4 locking positions
- Comfortable handle tubes with ergonomic grip
- Brake engages at any angle
- Anodised head assembly for premium wear resistance
- Weighs just 1.4kgs
- Compatible with all Tapepro Flat Boxes

🔒 4 set locking points

3 Three year limited warranty



↗ Fast flat finishing

⚙️ Spare parts and service available

|| Extendable handle

PAGE 32 Parts Diagram Available

FIXED FLAT BOX HANDLES

Tapepro's traditional fixed length Flat Box Handles and extensions are still going strong. Providing a lightweight, robust and comfortable solution.

- Comfortably sized aluminium tube
- Brake engages at any angle
- Fixed handle length with optional fixed extensions
- Compatible with all Tapepro Flat Boxes and fixed extensions (HE-600, HE-1200)

Code	Barcode	Size
FFBH-600	9315778999601	600mm
FFBH-900	9315778990998	900mm
FFBH-1050	9315778991001	1050mm
FFBH-1200	9315778991018	1200mm
FFBH-1500	9315778991025	1500mm
FFBH-1800	9315778991032	1800mm
HE-600	9315778990974	600mm
HE-1200	9315778990981	1200mm

↗ Fast flat finishing

↓ Fixed handle

PAGE 32 Parts Diagram Available

⚙️ Spare parts and service available

3 Three year limited warranty



HE-600

FFBH-900

NAIL SPOTTERS

Coat strips of nails or screws quickly with a single swipe of a Tapepro Nail Spotter.



NS-H-55

- Constructed from peened anodised aluminium plates
- Adjustable inter-lock handle position
- Fixed axle with wheels that run inside the blade width
- Kick plate for quick wall positioning
- Available with fixed length handle (NS-H-55, NS-H-75) or with ProReach Extendable Handle (NS-XH-55, NS-XH-75)



55mm 0.26 litres
75mm 0.35 litres



Three year
limited
warranty



Parts Diagram
Available



Fast flat
finishing



Lid opens wide
for easy access
and cleaning

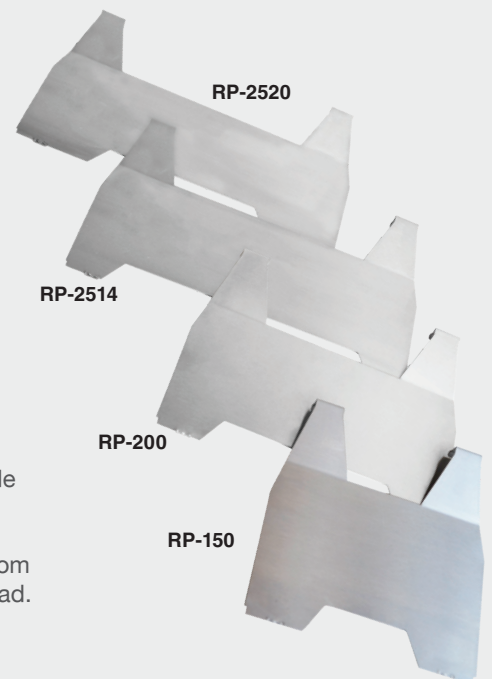


Spare parts
and service
available

Code	Barcode	Description	Size
NS-H-55	9315778995320	Nail Spotter 55mm with fixed 900mm handle	55mm
NS-XH-55	9315778998291	Nail Spotter 55mm with ProReach 960-1600mm handle	55mm
NS-H-75	9315778995481	Nail Spotter 75mm with fixed 900mm handle	75mm
NS-XH-75	9315778998307	Nail Spotter 75mm with ProReach 960-1600mm handle	75mm

FLAT BOX ACCESSORIES

Code	Barcode	Description	Size
RP-150	9315778002455	Reducer Plate 150mm-75mm	75mm
RP-200	9315778000864	Reducer Plate 200mm-140mm	140mm
RP-2514	9315778002462	Reducer Plate 250mm-140mm	140mm
RP-2520	9315778002479	Reducer Plate 250mm-200mm	200mm
FBBG	9315778997843	Flat Box Bead Guides	
FBB	9315778002318	Flat Box Bumpers	



FBB



FBBG



Tapepro flat boxes can now be fitted with Flat Box Bumpers!

Cheap and easy to fit, they help protect your brass blade holder and side plates from damage.

They are also useful when boxing up to an adjacent surface as the bumper prevents the blade and holder from scraping or catching. Very handy for boxing shadow bead.

Give external corners a smooth, machine finish fast with the Tapepro Flat Box Bead Guides.

- Use with paper tape, No-Coat, plastic, metal and more
- Durable stainless steel guides
- Inner guide compresses against the wall
- Angular deflection of outer guide ensures no scraping on adjoining surface
- Can be used on shadow and reveal beads by dropping the inner guide into the recess so it acts like a track for finishing



Parts
Diagram
Available

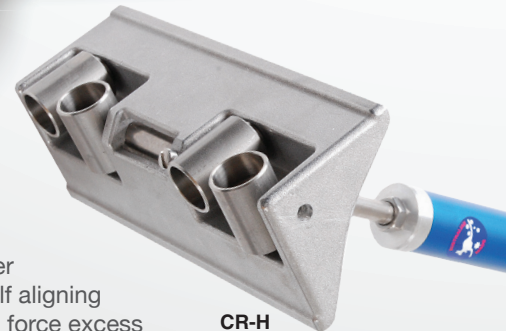
Reduce the finish width of your Tapepro Flat Box.

- Easy to fit and remove
- Fits to all Tapepro Blue2 and T2 Flat Boxes.
- Made from durable stainless steel sheet metal

CORNER FINISHING

INSIDE CORNER ROLLER

Bed in joint tape and corner beads with ease using Tapepro's famous Corner Roller. The inside Corner Roller (CR-H / CR-XH) is designed for use after taping - the self aligning rollers bed-in paper tape and force excess compound out. Use the Inside Corner Roller on joint tapes, paper faced bead and corner tape.



CR-H

3 Three year limited warranty

Spare parts and service available

Fast corner finishing*

PAGE 41 Parts Diagram Available

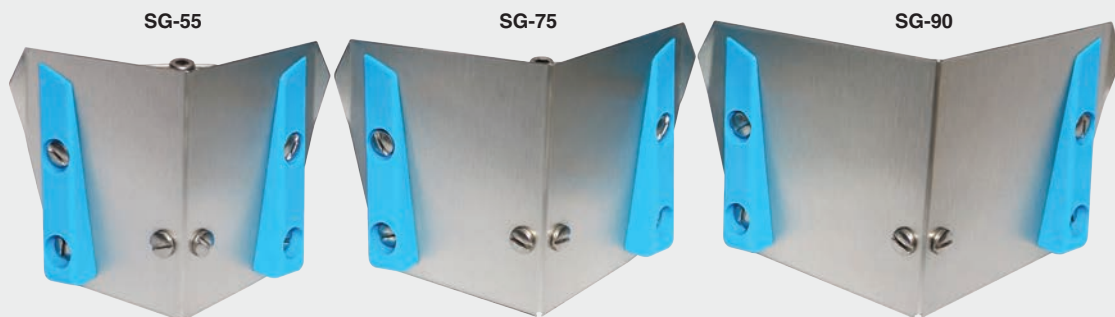
- Hard wearing die cast aluminium body
- Durable solid stainless steel rollers with acetal bushes for smooth rolling
- Swivel attachment adjusts to any angle
- Embed joint tape (paper tape / FibaFuse®), paper faced beads, and corner tape (No-Coat®, LevelLine® and Strait-Flex)
- Handle compatible with Outside Corner Roller Head (OCR)
- Available with a fixed 1200mm handle (CR-H) or an Extendable 960-1600mm Handle (CR-XH)

Code	Barcode	Description	Size
CR-H	9315778993982	Internal Corner Roller with Handle	1200mm
CR-XH	9315778998284	Internal Corner Roller with Extendable Handle	960-1600mm

STRAIGHT GLAZERS

Straight Glazers snap onto the Corner Finisher Handle (CFH-1200 / CF-XH) to glaze off taped internals quickly and easily. After applying tape and bedding in, pass the Tapepro Straight Glazer from top to bottom and it will simultaneously wipe off excess compound and perfectly feather the edges of the internal. Top coat internals with 75 or 90mm glazer using a two step process with applicator head.

- Made from durable stainless steel and acetal plastic
- Snaps onto Corner Finisher Handle (CFH-1200 / CF-XH)
- Available in three sizes 55mm (SG-55), 75mm (SG-75) and 90mm (SG-90)



Code	Barcode	Size
SG-55	9315778995092	55mm
SG-75	9315778997935	75mm
SG-90	9315778998192	90mm

Spare parts and service available

PAGE 43 Parts Diagram Available

3 Three year limited warranty

Fast corner finishing*



GLIDER GLAZERS

The Glider Series Glazers feature new geometry, sizing and WHEELS! Using the same wheels as our Nail Spotters, these glazers GLIDE along internal 90 DEG corners providing an even coverage while feathering the edges. The Glider Glazers have a stiffer body better suited to thicker compound mixes. Similar to straight glazers, the Gliders are designed to be used with a Corner Finisher Handle (CFH-1200, CF-XH) as a two step process: apply compound with Compound Tube or Corner Box using the AH-38 Applicator Head, then glaze with the Glider Glazer.



SGG-95



SGG-80



SGG-60

GLIDER SERIES
STRAIGHT GLAZERS

3 Three year limited warranty

↓ Fast corner finishing*

⚙️ Spare parts and service available

PAGE 44 Parts Diagram Available

- Glazes off taped internals and perfectly feathers the edges
- Made from durable stainless steel with acetal ball socket block
- Smooth action from glider wheels
- Easy snap fit to Corner Finisher Handles (CFH-1200/CF-XH)
- Available in three sizes 60mm, 80mm and 95mm

Code	Barcode	Size
SGG-60	9315778002424	60mm
SGG-80	9315778002431	80mm
SGG-95	9315778002448	95mm

PROREACH® HANDLE

This multi-purpose, extendable handle can be fitted to a number of Tapepro tools. The ProReach® handle extends from 960mm - 1600mm with four locking positions.

Code	Barcode	Size
XH	9315778998314	960-1600mm

3 Three year limited warranty

⚙️ Spare parts and service available

|| Extendable handle

PAGE 31 Parts Diagram Available

- Extends from 960-1600mm with 4 locking positions
- Anodised outer tube for excellent wear resistance
- The XH fits directly to the Inside & Outside Corner Rollers and Nail Spotters, add CFA024 to make it a CF-XH or add XH023 for a CA-XH



PROREACH
EXTENDABLE HANDLES

AUTOMATIC TAPING TOOLS

CORNER FINISHER HANDLE

The Tapepro Corner Finisher Handles fit perfectly to Straight Glazers and Corner Finishers to leave your corners with the correct amount of compound with perfectly feathered edges.



Code	Barcode	Description	Size
CFH-1200	9315778993975	Corner Finisher Handle	1200mm
CF-XH	9315778998277	ProReach® Extendable Corner Finisher Handle	960-1600mm

- Hard wearing anodised handle tube
- Equipped with an acetal ball connector which provides better fit and greater wear resistance
- Available in fixed 1200mm (CFH-1200) and extendable 960-1600mm (CF-XH)
- Compatible with Tapepro Straight Glazers (SG-55, SG-75, SG-90) and Corner Finishers (CFP-75, CF-65, CF-75, CF-90)

COMPOUND APPLICATOR TUBE

The Compound Applicator Tube is our most versatile tool. When fitted with one of Tapepro's specialised mud heads the Compound Tube can complete a range of tasks including application of compound (for taping or installation of mud on trims), finishing internal corners and application of cornice cement.



- Compound Applicator Tube available in two sizes 600mm (CA-T24) and 900mm (CA-T)
- Hard wearing, powder coated main tube and industrial plastic head with stainless steel ball
- Compound Applicator Tubes (CA-T, CA-T24) come standard with the CAN high flow nozzle, the Flat Applicator Compound Tube (FA-CT) comes standard with the FAN Flat Applicator Nozzle
- Easy to operate
- Can draw up compound straight from the bucket, alternatively it can be filled with the Loading Pump (LP-EZ) and Goose Neck (GS)

Code	Barcode	Description	Size
CA-T	9315778994590	Compound Applicator Tube	900mm
CA-T24	9315778001168	Compound Applicator Tube	600mm
FA-CT	9315778999298	MudShark Compound Tube	900mm

3 Three year limited warranty

Spare parts and service available

1 Applies 1st coat*

Filling tool

Cornice installation*

Quick release nozzle and piston rod

Can be used with Base (chemical setting) compounds

PAGE 30 Parts Diagram Available

Fast corner finishing*

**600mm 1.64 litres
900mm 2.23 litres**

* with the application of the correct Tapepro Compound Applicator Attachment

COMPOUND APPLICATOR ATTACHMENTS

MANTA RAY ADJUSTABLE INTERNAL APPLICATOR

- Apply base compound for installation of Trim-Tex Mud Set Magic Corner

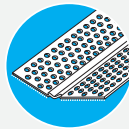
perfect for unusual internal angles created with Trim-Tex Mud Set Adjustable Internal Bead, Mud Set Magic Corner and Angle Master



AIA



72-MS4310



72-MS4315



AH-38



OAH

INTERNAL APPLICATOR HEAD

- Apply joint compound to 90° internal corners, including the apex

OUTSIDE APPLICATOR HEAD

- Apply joint compound to external corners, including the apex

CORNICE HEADS

- Apply cornice cement for quick and easy cornice installation



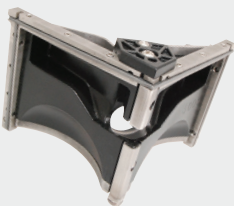
CH-55, CH-75, CH-90



CG-75

CORNER GLAZER 75MM

- Apply second coat to internals while feathering the edges



CFP-75

CORNER FINISHER 75MM PLASTIC

- Apply second coat to internals while perfectly feathering the edges - fast!



FAN

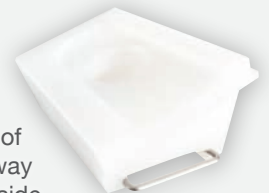
FLAT APPLICATOR NOZZLE

- Apply compound to flat recessed joints and fill Flat Boxes

FLAT TEAR AWAY BEAD APPLICATOR

- Apply a single ribbon of base compound for the installation of Trim-Tex Mud Set Flat Tear Away Bead. Can also use on either side of an unusual internal corner for the installation of a specialty bead or corner tape

perfect for installing Trim-Tex Mud Set Tear Away Flat Bead 72-MS9000



FTA



Code	Barcode	Description	Size
AIA	9315778001236	Adjustable Inside Applicator*	100° -160°
AH-38	9315778997300	Applicator Head*	38mm
CAN	9315778999410	Compound Applicator Nozzle*	
CFP-75	9315778000390	Corner Finisher CFP Series*	75mm
CG-75	9315778996877	Corner Glazer*	75mm
CH-55	9315778998079	Cornice Head*	55mm
CH-75	9315778998086	Cornice Head*	75mm
CH-90	9315778998093	Cornice Head*	90mm
FAN	9315778999281	MudShark Nozzle	
FTA	9315778001182	Flat Tear Away Bead Applicator*	
OAH	9315778000369	Outside Angle Head*	
OAH-W	9315778002769	Outside Angle Head Wide Tapepro*	

WATCH ON



* requires CA-T, CA-T24 or the FA-CT with the CAN head fitted

AUTOMATIC TAPING TOOLS

CORNER BOX

The Tapepro Corner Box delivers joint compound to internal corners when paired with a Corner Glazer (CG-75) or Corner Finisher (CFP-75, CF-65, CF-75, CF-90).

- Super tough peened anodised aluminium body
- High flow nozzle
- Long reach cone for tight corners
- Safety cable to attach Corner Finisher
- Available with a fixed 1200mm Handle (CA-H) or an Extendable 960-1600mm Handle (CA-XH)
- Compatible with Tapepro Corner Glazer (CG-75) and Corner Finishers (CFP-75, CF-65, CF-75, CF-90)



Code	Barcode	Description	Size
CA-H	9315778991483	Corner Box with Handle	1200mm
CA-XH	9315778999465	Corner Box with ProReach® Extend Handle	960-1600mm

CA-H



**Applies
2nd coat**



0.98 litres



**Parts
Diagram
Available**



**Spare parts
and service
available**



**Wide opening
pressure plate for
easy cleaning**



**Three year
limited
warranty**

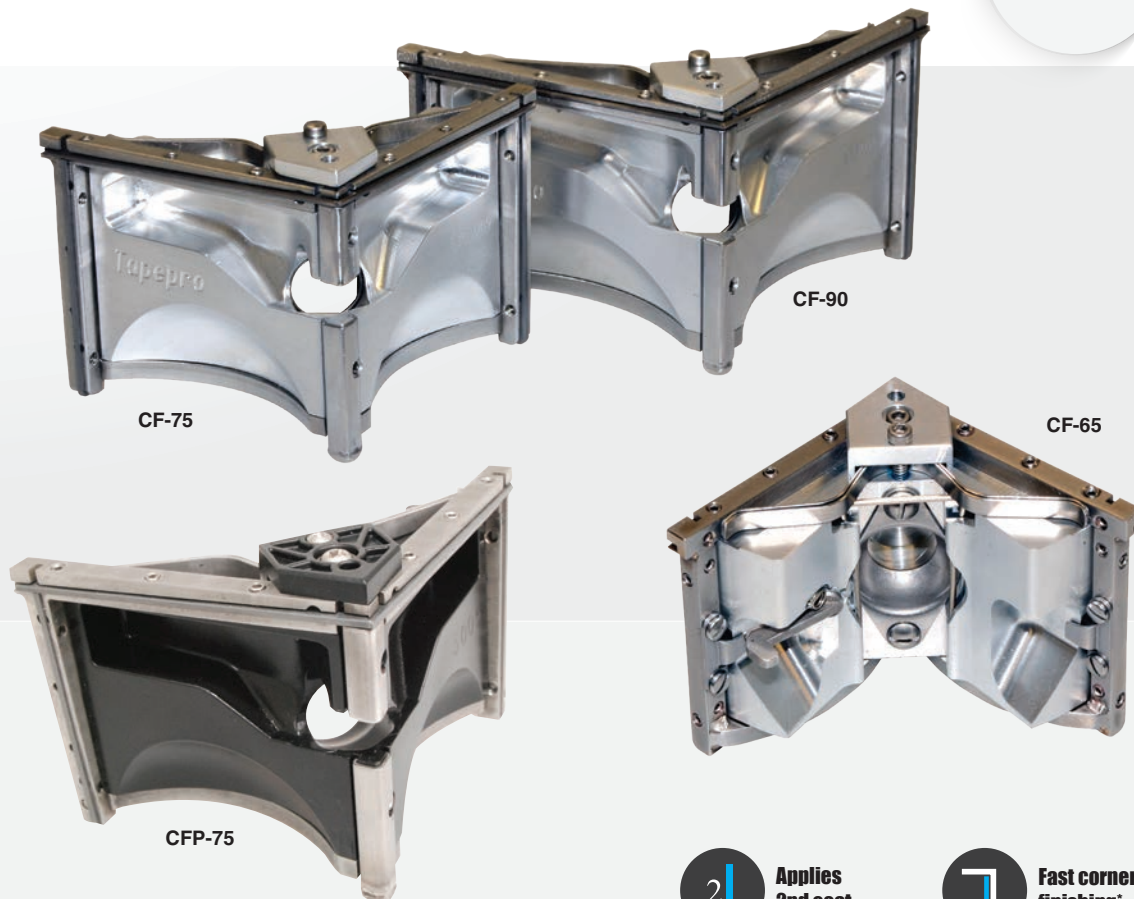


**Fast corner
finishing***



**Can be used with Base
(chemical setting)
compounds**





CORNER FINISHERS

Tapepro's premium range for internal finishing. Each of the Corner Finishers can be snapped onto a Corner Finisher Handle (CFH-1200 / CF-XH) to glaze off excess compound after installing tape. They're also expert topping tools - simultaneously applying the perfect top coat to internal corners and feathering the edges.

CF-65, CF-75, CF-90 Features:

- Precision machined billet aluminium head provides durability and performance
- Fabricated stainless steel frames provide a superior fit to the head ensuring smooth operation
- Carbide blades and skids provide maximum wear resistance
- Additional springs and adjuster clip achieve the perfect spring tension
- Unique ball socket retainer provides spring clip feel with locking lever security
- Removable top piece for thorough cleaning and easier blade adjustment

CFP-75 Features:

- Affordable precision - the same superior performance as the traditional corner finishers
- Low friction, high strength industrial plastic body
- Laser cut stainless steel frames provide the perfect fit for smooth operation
- Durable, long life carbide blades and skids
- Fits to the Corner Finisher Handle (CFH-1200 / CF-XH) for internal glazing
- Snaps onto Corner Box (CA-H / CA-XH) or Compound Applicator Tube (CA-T / CA-T24) for finishing

- 2** Applies 2nd coat
- Fast corner finishing***
- 3** Three year limited warranty
- Spare parts and service available**
- Rinse off with water**
- PAGE 40-42** Parts Diagram Available

Code	Barcode	Description	Size
CFP-75	9315778000390	Corner Finisher CFP Series	75mm
CF-65	9315778994095	Corner Finisher	65mm
CF-75	9315778991490	Corner Finisher	75mm
CF-90	9315778996884	Corner Finisher	90mm



AUTOMATIC TAPING TOOLS

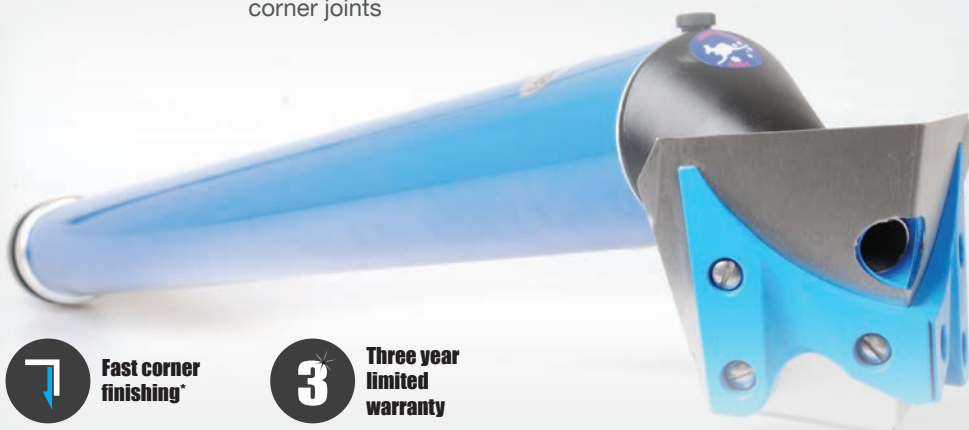
CORNER GLAZER

The Tapepro Corner Glazer fits to the Corner Box (CA-H / CA-XH) or Compound Applicator Tube (CA-T / CA-T24) to finish internal corners in a one step process.

Code	Barcode	Size
CG-75	9315778996877	75mm

- Made from durable stainless steel and acetal plastic
- Snaps onto Corner Box (CA-H / CA-XH) or Compound Applicator Tube (CA-T / CA-T24)
- Simultaneously applies the correct amount of compound and feathers the edges of internal corner joints

CG-75



Applies 2nd coat



Fast corner finishing*



Three year limited warranty



Rinse off with water



Spare parts and service available

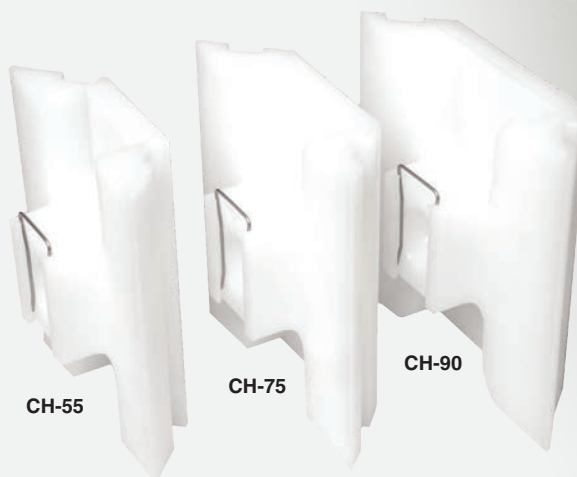


Parts Diagram Available

CORNICE HEADS

Install cornice in half the time of traditional methods with the Tapepro Cornice Heads. Simply fill the Tapepro Compound Applicator Tube (CA-T) with cornice cement, snap on a Cornice Head and run along the wall/ceiling junction to apply the perfect amount of adhesive for cornice installation.

- Reduce installation time and fatigue
- Made from super hard wearing industrial plastic
- Apply consistent, measured beads of cornice adhesive reducing wastage
- Compatible with the Compound Applicator Tube (CA-T)



CH-55

CH-75

CH-90



Fast cornice installation*



Three year limited warranty



Rinse off with water

WATCH ON



Code	Barcode	Size
CH-55	9315778998079	55mm
CH-75	9315778998086	75mm
CH-90	9315778998093	90mm

OUTSIDE CORNER ROLLER

The Outside Corner Roller is designed to be used on a multitude of different 90° corner beads and tapes including Trim-Tex™ and No-Coat®. It delivers firm, even pressure to the entire trim for a strong bond to the corner - every time.



OCR

- Tough stainless steel sheet metal body with acetal plastic rollers on stainless steel bushes
- Rollers pivot in the centre allowing for corners that are not exactly 90° and corner beads that have either tapered or parallel legs
- Swivel attachment adjusts to any angle
- Install Trim-Tex Mud Set™, HydroTrim, Paper Face Metal Bead, No-Coat® and more
- OCR is compatible with the 1200mm Corner Roller Handle (GRA015) and the Pro-Reach Extendable Handle 960-1600mm (XH)

Code	Barcode	Description	Size
OCR	9315778000833	Outside Corner Roller Head	
OCR-H	9315778000840	Outside Corner Roller with Handle	1200mm
OCR-XH	9315778000857	Outside Corner Roller with Extendable Handle	960-1600mm
OCR-W	9315778002776	Outside Corner Roller Wide	



Fast corner finishing*



Three year limited warranty



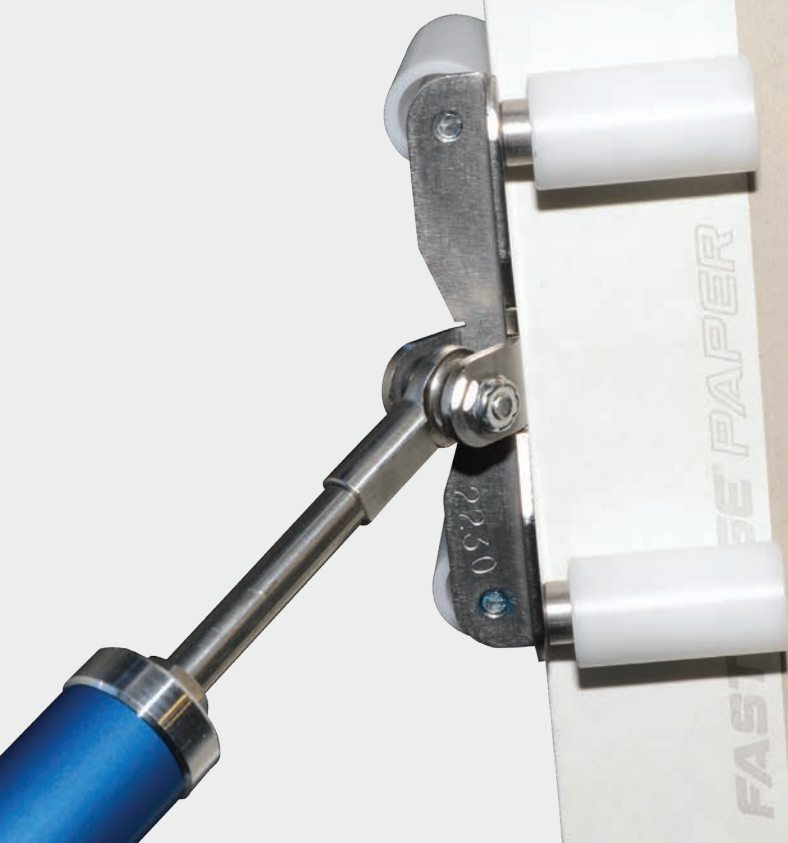
Spare parts and service available



Rinse off with water



Parts Diagram Available



OCR-W

CASES & KITS

TAPEPRO CASES

Protect and transport your tools with a Tapepro Tool Case.



TC-450

TC-450 Features:

- Protect your tools
- Lockable lid
- Shockproof & water resistant
- Included with Tapepro Boxer Kits

Code	Barcode	Size
TC-1200	9315778998895	1200mm
TC-450	9315778002097	450x350x250mm



TC-1200

TC-1200 Features:

- Aluminium casing with reinforced corners
- Four latches
- Comfortable handle
- 1230mm x 350mm x 115mm - 7kg




BOXER FLAT BOX KITS

The **Tapepro Boxer Kits** enable you to achieve the best finish on the market with Australia's own Tapepro Flat Box range. Included in the kit is the Flat Box series of your choice Blue2 or T2, the innovative Flat Box Bumper Kit, Reducer Plate and Replacement Flat Box Blades all protected in a shock resistant waterproof case designed to extend the life of the tools.



WHAT'S AVAILABLE IN THE KITS:

- Blue2 Flat Boxes**
Traditional shape
Sprung lid
Precision adjustments
FFB-____
- T2 Flat Boxes**
Innovative design
Wide opening lid
Simplified blade tension
T-____
- Reducer Plate**
Reduce joint finish width from 200mm to 140mm
Use with 200mm box
RP-200
- Boxer Case**
Protects the tools
Shock resistant
Water Proof
TC-450
- FBB Bumpers**
Help protect your brass blade holder and side plates from damage
FBB
- Blades 3pkt**
To replace damaged or worn blades
MK03-***

-  **Spare parts and service available**
-  **Three year limited warranty**
-  **Flat fast finishing**
-  **Protected Tools**

Code	Contents	Code	Contents	Code	Contents	Code	Contents
BK-3	TapePro Boxer Kit #3 TC-450 Tool Case 450mm FFB-200 Blue2 Flat Box 200mm FFB-250 Blue2 Flat Box 250mm FFB-300 Blue2 Flat Box 300mm RP-200 Reducer Plate 140mm FBB Flat Box Bumper Kit MK03-200 Flat Box Blades 3pk 200mm MK03-250 Flat Box Blades 3pk 250mm MK03-300 Flat Box Blades 3pk 300mm	BK-4	TapePro Boxer Kit #4 TC-450 Tool Case 450mm FFB-200 Blue2 Flat Box 200mm FFB-300 Blue2 Flat Box 300mm RP-200 Reducer Plate 140mm FBB Flat Box Bumper Kit MK03-200 Flat Box Blades 3pk 200mm MK03-300 Flat Box Blades 3pk 300mm	BK-7	TapePro Boxer Kit #7 TC-450 Tool Case 450mm T-200 T2 Flat Box 200mm T-250 T2 Flat Box 250mm T-300 T2 Flat Box 300mm RP-200 Reducer Plate 140mm FBB Flat Box Bumper Kit MK03-200 Flat Box Blades 3pk 200mm MK03-250 Flat Box Blades 3pk 250mm MK03-300 Flat Box Blades 3pk 300mm	BK-8	TapePro Boxer Kit #8 TC-450 Tool Case 450mm T-200 T2 Flat Box 200mm T-300 T2 Flat Box 300mm RP-200 Reducer Plate 140mm FBB Flat Box Bumper Kit MK03-200 Flat Box Blades 3pk 200mm MK03-300 Flat Box Blades 3pk 300mm

Code	Barcode	Contents Code	Description	Size
BK-3	9315778002820	TC-450 FFB-200 FFB-250 FFB-300 RP-200 FBB MK03-200 MK03-250 MK03-300	BOXER KIT #3	450x350x-250mm
BK-4	9315778002837	TC-450 FFB-200 FFB-300 RP-200 FBB MK03-200 MK03-300	BOXER KIT #4	450x350x-250mm
BK-7	9315778002844	TC-450 T-200 T-250 T-300 RP-200 FBB MK03-200 MK03-250 MK03-300	BOXER KIT #7	450x350x-250mm
BK-8	9315778002851	TC-450 T-200 T-300 RP-200 FBB MK03-200 MK03-300	BOXER KIT #8	450x350x-250mm

AUTOMATIC TAPING TOOLS

Tapepro's Slayer Corner Kit includes all the tools required to tape and set internal corners. The kit will significantly speed up the internals process when compared to hand taping and setting and includes the Tapepro Inside Corner Roller to ensure even tape bedding. The Slayer Kit allows the user to run base compound along the internal joint with the compound tube and applicator head. The roller will bed the joint tape squarely into the corner and spread the compound evenly. The 55mm glazing head then feathers the compound to a flat finish. Once base compound is dry the compound application process is repeated for subsequent topping coats with the 75mm glazing head.

SLAYER CORNER KIT

“ **Setting corners with the Slayer Kit not only saves time but also reduces waste by maintaining a fixed level of applied compound.** ”

The Slayer tools are secured in a tough aluminium case that's designed for protection and will make transporting them simple.



 **Spare parts and service available**

 **Three year limited warranty**

 **Fast corner finishing***

Code	Barcode	Contents Code	Description	Size
TK-SCK1	9315778001793		SLAYER CORNER KIT	
		SG-55	Straight Glazer	55mm
		SG-75	Straight Glazer	75mm
		CA-T	Compound Applicator Tube	900mm
		AH-38	Applicator Head	38mm
		TC-1200	Tool Case	1200mm
			Corner Finisher Handle	960mm
			Corner Roller	960mm

REPAIR KITS & PARTS

■ FLAT BOX MAINTENANCE KIT - FBK01

Covers commonly required parts for general maintenance. Use this kit when the box is leaking due to wear between the pressure plate axle and the nyliners.

Contents:
F025 Pressure Plate Axle x 1
F008 Nyliner x 2
F009 Blade x 1
SA051 Thumb Screw x 2
AT062 4-40 x 5/16" BH Screw x 5,7,9

Code	Barcode
FBK01-200	9315778991315
FBK01-250	9315778991322
FBK01-300	9315778991339



Available in
200mm, 250mm
and 300mm.

■ CORNER BOX MAINTENANCE KIT - CBK01

Replaces the pressure plate axle and nyliners. Use this kit when the box is leaking due to wear between these components.

Contents:
F008 Nyliner x 2
CB014 Axle x 1
AT062 4-40 x 5/16" BH Screw x 3

Code	Barcode
CBK01	9315778998185

■ FLAT BOX SERVICE KIT - FBK02

Replaces the seals, skids and wheels. Use this kit when the box is leaking due to the seals being worn or deteriorated. Also includes other harder wearing components such as skids and wheels.

Contents:
F030 Pressure Plate Wiper x 1
F017 Axle Wiper x 1
F006 Skid x 1
F024 Skid x 1
FA020 Tyre & Wheel x 2
F032 Bushing x 2
F007 5-40 x 1/8" BH Screw x 4

Code	Barcode
FBK02-200	9315778991346
FBK02-250	9315778991353
FBK02-300	9315778991360



Available in
200mm, 250mm
and 300mm.

■ CORNER BOX SERVICE KIT - CBK02

Replaces the seals. Use this kit when the box is leaking due to the seals being worn or deteriorated.

Contents:
S012-75 Axle Wiper 75mm x 1
CB020 Pressure Plate Wiper x 1

Code	Barcode
CBK02	9315778995436

■ FLAT BOX OVERHAUL KIT - FBK03

Includes all wear items to fully overhaul the flat box. Use this kit when the box has been used for an extended period and all wear items require replacement.

Contents:
FBK01 Maintenance Kit x 1
FBK02 Service Kit x 1
F039 Blade Holder x 1
F044 Blade Holder Tab x 4
F034 Spring x 1
F028 10-32 Wing Nut X 2
F042 Pressure Plate Spring x 2
AT042 4-40 x 5/16" Screw x 2

Code	Barcode
FBK03-200	9315778991377
FBK03-250	9315778991384
FBK03-300	9315778991391



Available in
200mm, 250mm
and 300mm.

■ CORNER FINISHER MAINTENANCE KIT - CFK01

Covers resetting the Corner Finisher, replacing skids and grub screws. Use this kit when the finisher is leaving thick edges or ripping tape.

Contents:
CF002 6-32 x 1/8" Set Screw x 10
CF013 Skid x 2

Code	Barcode
CFK01	9315778991445

■ CORNER FINISHER SERVICE KIT - CFK02

Replaces blades, clips, ball retainer and associated screws. Use this kit when the blades are broken or damaged and clips are worn. To check blades, run a fingernail along the leading edge. You should be able to feel a crack or break.

Contents:
CF10/22 Size Carbide Blade x 2
AT012 8-32 x 1/4" Set Screw x 2
CFA116 Lower Clip Assembly x 1
CF103 Upper Clip x 1
CF020 Ball Retainer x 1

Code	Barcode
CFK02-65	9315778996136
CFK02-75	9315778996419
CFK02-90	9315778995412



Available in
65mm, 75mm &
90mm

■ FLAT BOX HANDLE MAINTENANCE KIT - FHK01

Replaces the major wear components - hinge assembly, locking cam and retainer. Use this kit when the brake action is ineffective due to wear in these components, and the hinge is bottoming out.

Contents:
FHA002 Hinge Assembly x 1
FH005N Locking Cam x 1
FH007 Retainer x 1

Code	Barcode
FHK01	9315778995894

■ CORNER ROLLER MAINTENANCE KIT - CRK01

Replaces the rollers and bushes. Use this kit when the corner rollers are too loose and the roller ends may be catching on the wall.

Contents:
CR002 Bushings x 4
CR003 Roller S/S x 4
CR004 1/4" -20 x 1-1/4" Hex Hd x 4

Code	Barcode
CRK01	9315778995863

■ AUTO TAPER MAINTENANCE KIT - ATK01

Replaces the rollers and bushes. Use this kit when the corner rollers are too loose and the roller ends may be catching on the wall.

Contents:
AT218 Creaser Cable x 1
AT248 Puller Cable x 1
AT243-1 Cup Wiper Modified x 1
ATK141 O Ring (BS225) x 1
051 Bearing Liner x 1
031 Pyramid Cutter Blade x 1
AT074 Needle x 1
AT005 Creaser Return Spring x 1

Code	Barcode
ATK01	9315778002950

■ LOADING PUMP MAINTENANCE KIT - LPK01

Replaces the rubber components. Use this kit when the pump is not sealing properly and performance is low.

Contents:
P003 Piston Wiper x 1
P004 O Ring Piston x 1
P036 O Ring x 1
P031 U Cup x 1
P051 O Ring x 1

Code	Barcode
LPK01	9315778995870

■ LOADING PUMP SERVICE KIT - LPK02

Replaces the piston rod bush and suction screen. Use this kit when these components are worn or damaged.

Contents:
P030 Nylon Bushing x 1
P025F Screen Fine x 1

Code	Barcode
LPK02	9315778995887

AUTOMATIC TAPING TOOLS

PACKAGED PARTS

Code	Barcode	Description
AT031-5pk	9315778999731	Cutter Blade 5pk
AT074-5pk	9315778999748	Feed Needle 5pk
F006-2pk	9315778999649	Skids (lef/right) Set
F007-4pk	9315778999687	Skid Screws Set
F008-2pk	9315778999656	Flat Box Nyliner Set
F032-2pk	9315778999670	Wheel Bush Set
FA020-2pk	9315778999632	Tyre & Wheel Set
MB-18-2pk	9315778999724	Tape Spool Spacer Set
MB-22-2pk	9315778999717	Tension Spring Set
SA051-2pk	9315778999663	Thumb Screw Set
MK03-200	9315778999755	Flat Box Blade 200mm 3pk
MK03-250	9315778999762	Flat Box Blade 250mm 3pk
MK03-300	9315778999779	Flat Box Blade 300mm 3pk
MK06-200	93157789992824	Flat Box Blade 200mm 10pk
MK06-250	93157789992831	Flat Box Blade 250mm 10pk
MK06-300	93157789992848	Flat Box Blade 300mm 10pk



F006-2pk



F007-4pk



F008-2pk



F032-2pk



MB-18-2pk



FA020-2pk



MB-22-2pk



SA051-2pk



See the range of spare parts available in retail packaging!

NEED PARTS?

For all the latest news and updates follow us on Facebook
www.facebook.com/tapepro



For further information on any tools or parts in the Tapepro range visit our website - www.tapepro.com

AUTOMATIC TAPING TOOLS

■ TAPEPRO AUTOMATIC TAPER SPARE PARTS cont..

Code	Description	Code	Description
AT001	10-32 x 1-1/4 B.H. Screw	AT056	Bearing Liner
AT002	Creaser Wheel Bushing	AT057	Bushing
AT003	Taper Creaser Wheel	AT058	Roller Support
AT004	10-32 Nylock	AT059	Tape Guide Connector
AT005	Creaser Return Spring	AT060	Gate Valve Cam
AT006	Creaser Arm Bushing	AT061	Gate Valve Axle
AT007	Bushing	AT062	4-40 x 5/16 B.H. Screw
AT008	Bearing Liner	AT063	Cutter Channel
AT009	4-40 x 3/16 B.H. Screw	AT064	Roller Support
AT010	Tape Wheel	AT065	Roller
AT011	Tape Wheel Drive Hub	AT066	Bushing
AT012	8-32 x 1/4 Set Screw Cut Pt	AT067	8-32 x 3/4 Truss Hd. Screw
AT013	Tape Wheel Spool	AT068	Gate Valve
AT014	Right Arm Creaser	AT069	Tape Guide Extension
AT015	Left Arm Creaser	AT070	Tape Guide
AT016	6-32 x 3/16 B.H. Screw	AT071	Needle Holder
AT017	Creaser Arm Bushing	AT072	Rubber Engaging Lever
AT018	Drive Axle 6mm	AT073	Needle Holder Housing
AT019	Small Gear	AT074	Needle
AT020	2-56 x 3/16 B.H. Screw	AT074-5PK	Feed Needle 5 pack
AT021	8-32 x 7/16 Fillister Hd Screw	AT075	8-32 Nylock
AT023	Cable Drum	AT076	Cable Sheave Bearing
AT024	Drive Dog Axle	AT077	Cable Sheeve
AT025	Dowel Pin Head	AT078	Left Side Plate
AT028	Roll Pin 2mm x 6mm	AT079S	Drive Chain S/S
AT029	4-40 x 1/4 Set Screw Cup	AT080	6-32 x 3/8 Flt. Hd. Screw
AT030	Cutter Block	AT081	Bearing Liner
AT031	Cutter Blade	AT082	Sprocket Hub
AT031-5PK	Cutter Blade 5 pack	AT084	Axle Holder Lever
AT032	Dowel Pin (Drive Dog)	AT085	6-32 x 7/16 Flt. Hd. Screw
AT033	Drive Dog Holder	AT086	Thrust Bearing
AT034SS	Cutter Chain	AT087	Back-Up Roller Axle
AT035	Drive Axle	AT091	Bushing
AT039	6-32 x 1/4 B.H. Screw	AT092	Creaser Wheel Washer
AT040	Screw Block	AT093	Extension Stop
AT041	4-40 x 1/4 B.H. Screw	AT094	Cable Drum Thrust Washer
AT042	4-40 x 5/16 Fillister Hd	AT095	Nyliner
AT043	4-40 x 1/2 B.H. Screw	AT096	Bearing Liner
AT044	Cam	AT099	Valve
AT045	Right Side Plate	AT100	Spring
AT046	Dowel Pin Head	AT101	6-32 x 1/8 Fillister Hd.
AT047	6-32 x 3/8 B.H. Screw	AT102	Gate Plate
AT048	3-43 x 5/16 Flt. Hd. Screw	AT103	O Ring
AT049	Tape Guide Support	AT104	Push Rod
AT050	Spacer	AT105	O Ring Retainer
AT051	6-32 Nylock	AT106	Cutter Block Clamp
AT052	4-40 x 5/16 Flt. Hd. Screw	AT107	Control Tube Stop
AT053	4-40 x 3/16 Flt. Hd. Screw	AT109	8-32 x 3/8 Hex Socket
AT054	Extension Tube	AT110	Cutter Spring
AT055	Cover Plate	AT111	Spring Shield
		AT112	6-32 x 1/2 Soc Cap Screw
		AT114	Cotter Pin for Cutter Chain
		AT115	Special Gate Valve Connector
		AT117	Gate Valve Connector
		AT118	8-32 x 3/16 Set Screw Cup Pt
		AT120	4-40 x 1/4 Flt. Hd. Screw
		AT121	3-48 Nylock

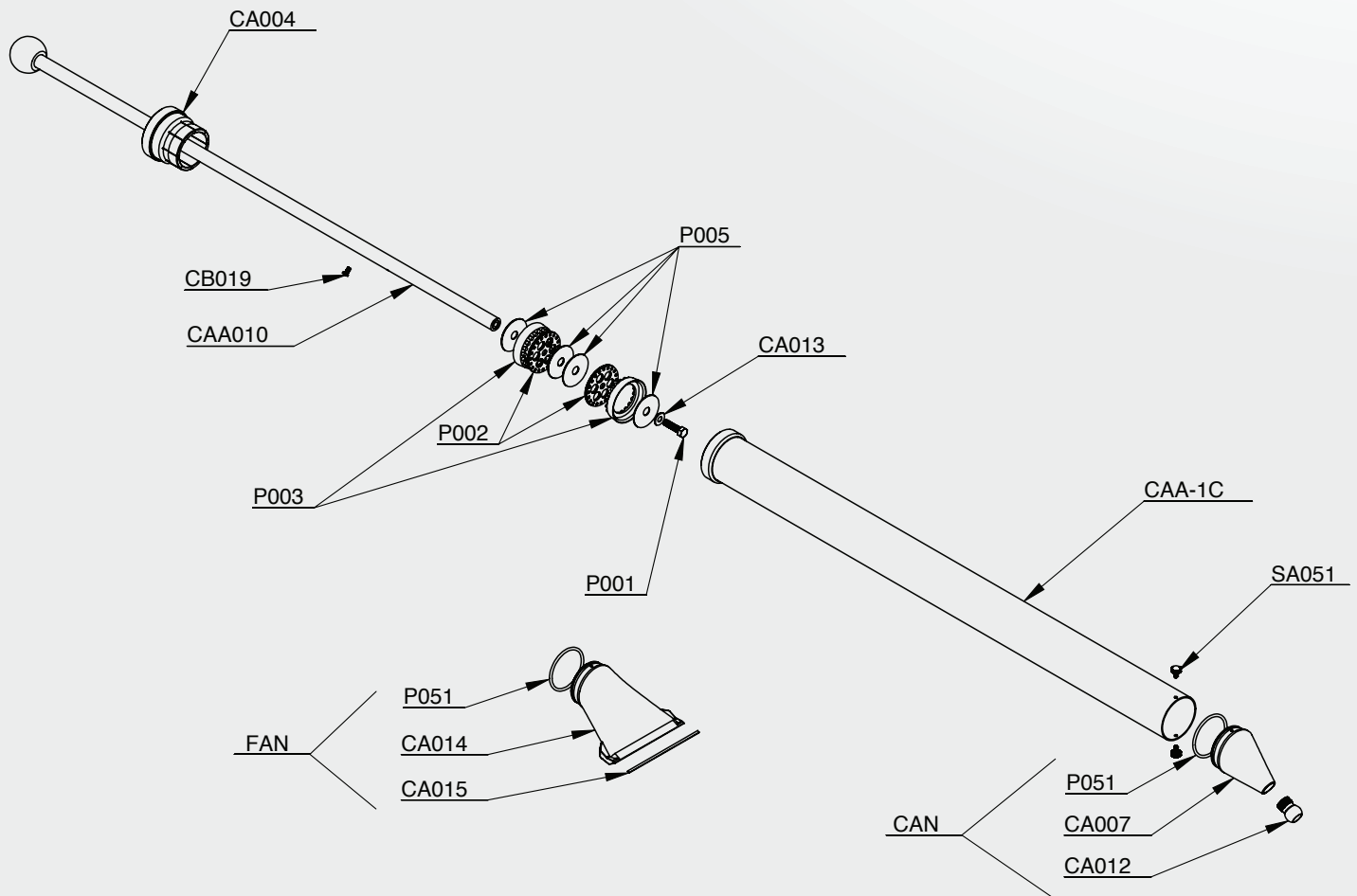
Use only genuine Tapepro parts on Tapepro Drywall Tools. Using other brands parts on a Tapepro tool may affect the operation of the product and void warranty.

■ TAPEPRO AUTOMATIC TAPER SPARE PARTS cont..

AT122	4-40 Nylock	AT238	Band
AT123	Engaging Cam	AT239	1/4-20 x 5/8 Allen F.H. Screw
AT124	Wear Plate	AT240	Band
AT125	Tape Guide	AT242	Washer
AT126	Thumb Screw	AT243-1	Cup Wiper Modified
AT127	4-40 x 5/32 Flt. Hd. Screw	AT244	Cotter Pin (Piston Cable)
AT128	4-40 x 5/32 B.H. Screw	AT245	Piston
AT129	4-40 x 1/8 B.H. Screw	AT246	Special Concave Nut
AT130	Drive Dog Spring	AT247	Piston Bolt
AT132	Right Roller Shield	AT251	1/4-20 Hex Nut
AT133	Left Roller Shield	AT252	AT Chain Guard
AT134	4-40 x 3/16 Fillister Hd	ATA022	Head with Pin Assembly
AT135	Creaser Cable Clamp	ATA026	Drive Dog with Pin
AT136	Carbide	ATA030	Cutter Block Assembly
AT137	Washer	ATA030SS	Cutter Block Assembly Stainless Steel
AT138	Creaser Stop	ATA036	Disengaging Rod Assembly
AT139	Tape Guide Filler	ATA038	Back Up Roller Bracket Assembly
AT140	6-32#6 Lock Washer	ATA083	Sprocket Assembly
AT177	Gate Valve Connector	ATA089	Back-Up Roller Assembly
AT200A	Main Tube - (Blue Anodized)	ATA097N	Filler Tube Assembly
AT202	Roller Bracket	ATA248	Puller cable
AT204	Post Spacer	ATK027	Black Nob for AT-2000
AT205T	Keeper Post	ATK045	Right Side Plate
AT206	Tape Spool	ATK071	Needle Holder
AT207T	Spool Post	ATK078	Left Side Plate
AT208T	Keeper Socket	ATK108	Control Tube Stop
AT209	Trigger Post	ATK111	Spring Cover
AT210	Trigger Spacer	ATK133	Blade Gaurd
AT211C	End Ring	ATK141	O Ring
AT212C	Creaser Trigger	ATK200A	Main Tube Anodized
AT213	S Hook	ATK233	Quick Release Clamp
AT214	Creaser Strap	ATK237	Band
AT215	Tape Keeper	ATKA022	Head with Pins Assembly
AT216	Bushing	ATKA073	Needle Housing Holder Assembly
AT217	Roller	AT045T	Right Side Plate - Titanium
AT218	Creaser Cable	AT049CF	Tape Guide Support
AT219	1/4-20 x 7/8 Soc Cap Screw	AT078T	Left Side Plate - Titanium
AT221	#8 Flat Washer	AT180	Control Ring Roller
AT222	Control Tube Extension	AT181	Cable Guide
AT224	Control Tube Bracket	AT182	6-32 x 1/4 Flt. Hd. Screw
AT225	10-32 x 1/4 Set Screw Cup Pt		Main Tube Quick Release - Carbon
AT226	4-40 x 7/16 B.H. Screw	AT200CF	Fibre
AT227A	Control Tube	AT224CF	Control Tube Bracket for Carbon Fibre
AT228	5-40 Nylock	ATA227CF	Control Tube Assembly Carbon Fibre
AT229	#4 Flat Washer	ATA181	Cam lever 10-32 w SS Pin and Washer
AT230	Control Tube Roller Bushing		
AT231	Control Tube Roller		
AT232	5-40 x 1 B.H. Screw		
AT234	5-40 x 5/16 B.H. Screw		
AT235	Band (AT235)		
AT236	6-32 x 5/16 Flt. Hd. Screw		
AT237	Band		

Use only genuine Tapepro parts on Tapepro Drywall Tools. Using other brands parts on a Tapepro tool may affect the operation of the product and void warranty.

AUTOMATIC TAPING TOOLS



COMPOUND APPLICATOR TUBE CA-T

Spare Parts Diagram

TAPEPRO COMPOUND APPLICATOR TUBE SPARE PARTS

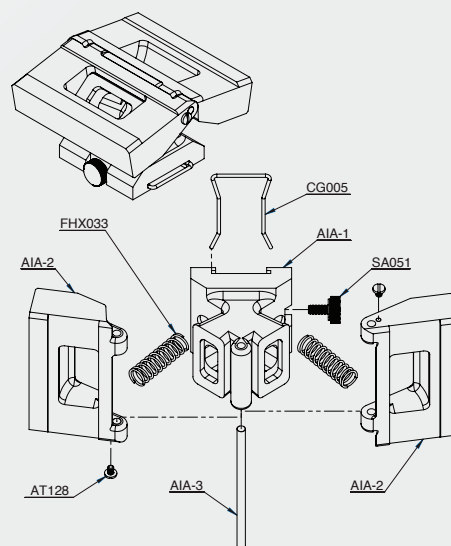
Code	Description	Code	Description
CA004	Plastic End Plug	P051	O Ring
CA007	Nozzle Plastic	SA051	Thumb Screw
CAA009	Ball Anodised	CA014	Flat Applicator Body
CAA010	Pull Rod Assembly for CA-T	CA015	Flat Applicator Blade
CAA-1C	Main Tube with End Ring Assembly for CA-T	CAN	Compound Applicator Nozzle
CA012	Cone Ball Stainless Steel	FAN	Flat Applicator Nozzle
CA013	5/16 x 3/4 x 18g Flat Washer	SA051-2PK	Thumb Screw 2 pack
CB019	Screw	CA002	Piston Assembly
P001	5/16-24 X 1 1/4 Hex Hd. Screw		CA-T24
P002	Piston Disc	CA010-24	Pull Rod for CA-T24
P003	Piston Wiper	CA-1-24	Main tube for CA-T24
P005	Valve Disc		

ADJUSTABLE INSIDE APPLICATOR AIA

Spare Parts Diagram

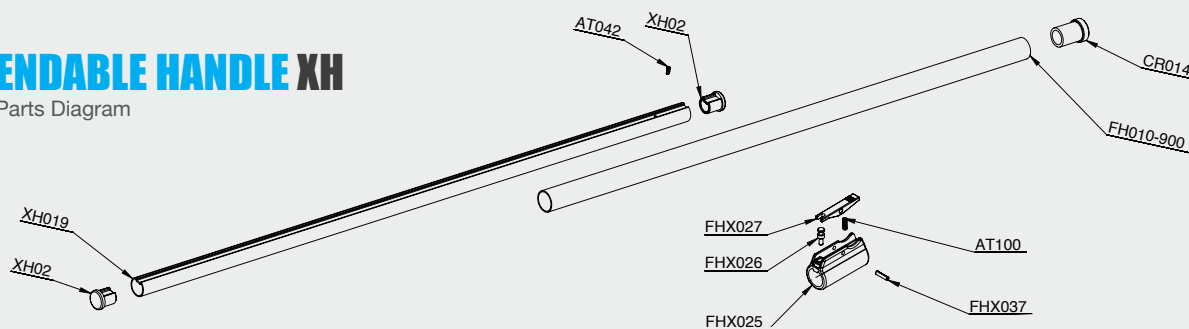
TAPEPRO ADJUSTABLE INSIDE APPLICATOR SPARE PARTS

Code	Description
AIA-1	AIA Body
AIA-2	AIA Wing
AIA-3	4 x 80mm Stainless Steel Rod
CG005	Glazer Spring Retainer
FHX033	Brake Spring Stainless Steel
SA051	Thumb Screw
AT128	4-40 x 5/32 B.H. Screw



EXTENDABLE HANDLE XH

Spare Parts Diagram



TAPEPRO EXTENDABLE HANDLE SPARE PARTS

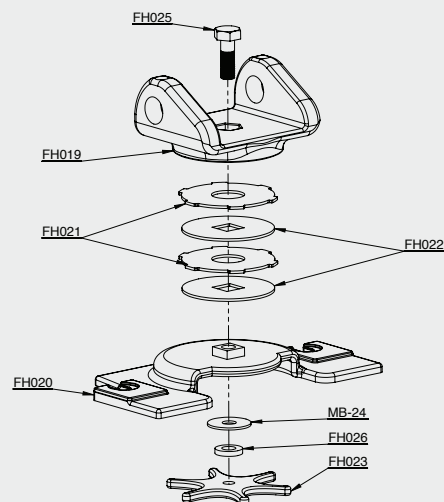
Code	Description	Code	Description
XH02	Extension Handle Bush	FHX037	Spring Pin M5 x 20 SS
FH010-900	Tube Only 900mm Anodised	AT042	4-40 x 5/16 Fillister Hd
XH019	Inner Tube	AT100	Spring
FHX025	Extension Sleeve	CR014	Handle End
FHX026	Locating Pin	XH03	XH Rubber Grip
FHX027	Extension Lever	XH023	Corner Box adaptor stud

TWISTER® SWIVEL PLATE TSP

Spare Parts Diagram

TWISTER SWIVEL PLATE SPARE PARTS

Code	Description
FH019	Top Plate
FH020	Bottom Plate
FH021	Brake washer with tab
FH022	Brake Washer
FH023	Star Wheel
FH025	Screw 1/4 -28 x 3/4 Hex Hd SS 304
FH026	1/4" Acetal Washer
MB-24	Washer Stainless Steel 1/4" x 3/4"

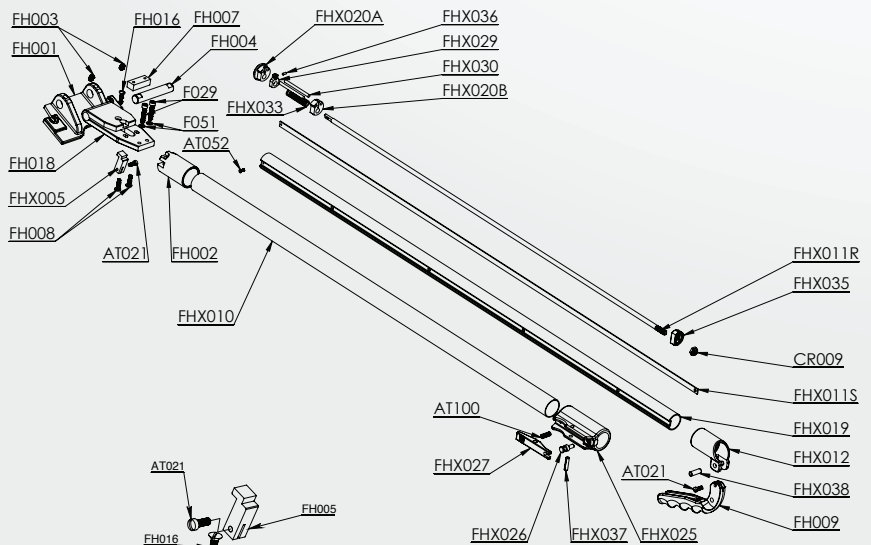


Use only genuine TapePro parts on TapePro Drywall Tools. Using other brands parts on a TapePro tool may affect the operation of the product and void warranty.

AUTOMATIC TAPING TOOLS

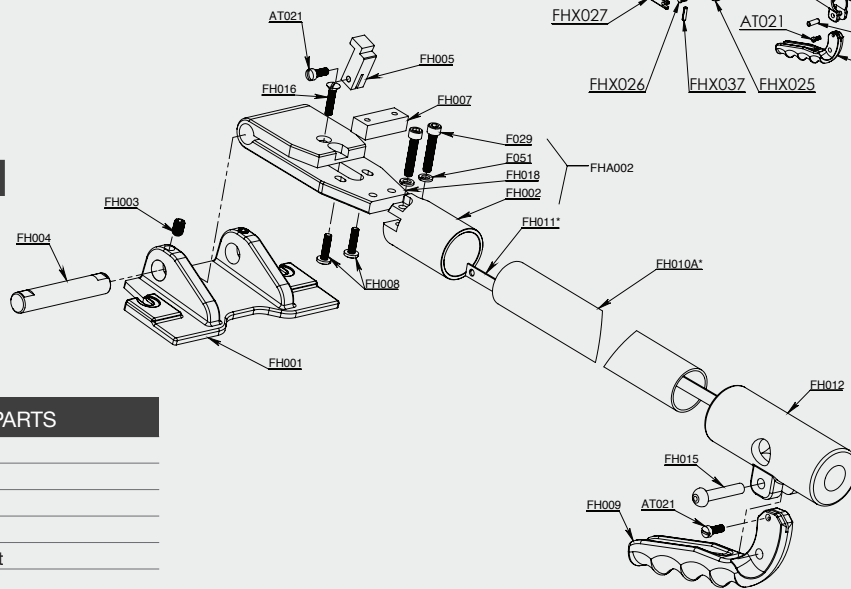
FLATBOX HANDLE EXTENDABLE FHX

Spare Parts Diagram



FLAT BOX HANDLE FFBH

Spare Parts Diagram



TAPEPRO FLAT BOX HANDLE SPARE PARTS

Code	Description
FH001	Connector Plate
FHA002	Hinge Assembly
FH002	Hinge Tube
FH003	1/4"-28 x 3/8" Set Screw Cup Pt
FH004	Pivot Pin
FHX005	Handle Cam
FH007	Retainer
FH008	8-32 x 5/8" B.H. Screw
FH009	Flat Box Handle Grip
H-600A	Tube Only 600mm
FH010-900	Tube Only 900mm
FH010-1050	Tube Only 1050mm
FH010-1200	Tube Only 1200mm
FH010-1500	Tube Only 1500mm
FH010-1800	Tube Only 1800mm
FH011-600	Handle Connector Strap 600mm
FH011-900	Handle Connector Strap 900mm
FH011-1050	Handle Connector Strap-1050mm
FH011-1200	Handle Connector Strap 1200mm
FH011-1500	Handle Connector Strap -1500mm
FH011-1800	Handle Connector Strap 1800mm
FH012	Sleeve
FH015	Rivet
FH016	8-32 x 3/4 Oval Hd. Screw
FH018	Hinge Plate
FHX010	Extension Handle Tube
FHX011R	Connector Rod
FHX011S	Extension Handle Strap
FHX012	Extendable Handle Sleeve
FH016	8-32 x 3/4 Oval Hd. Screw

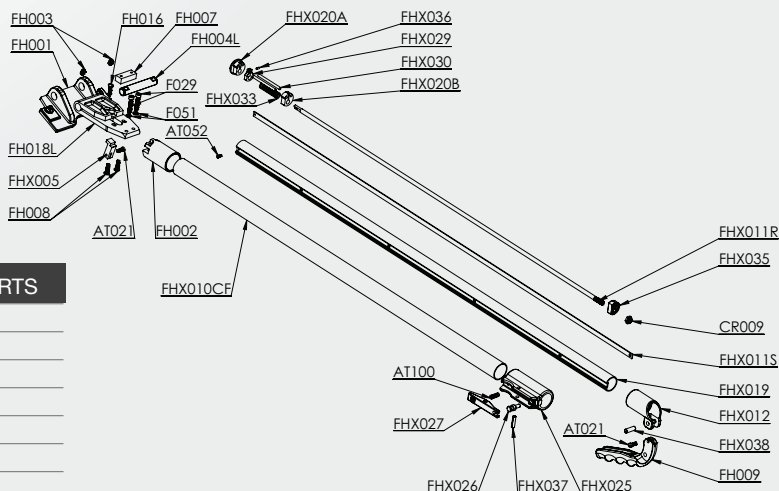
TAPEPRO FLAT BOX HANDLE SPARE PARTS

Code	Description
FH018A	Hinge Plate Anodised
FHX019	Extendable Handle Inner Tube
FHX020A	Brake Housing End Plate
FHX020B	Brake Housing End Plate
FHX020	Brake Housing Assembly
FHX025	Extension Sleeve
FHX026	Locating Pin
FHX027	Extension Lever
FHX029	Brake Washer
FHX030	Steel Pin 4 x 50
FHX033	Stainless Steel Brake Spring
FHX035	Extension Stop
FHX036	WC Dowel Pin 3/32 x 1/4"
FHX037	Spring Pin M5 x 20 SS
FHX038	Spring Pin .25 x .75 SS
AT021	8-32 x 7/16" Fillister Hd Screw
AT052	4-40 x 5/16 Fit. Hd. Screw
AT100	Spring
CR009	1/4-20 Thin Nylock
F029	10-32 x 1" Soc Hd Cap Screw
F051	#10 Lock Washer

Use only genuine Tapepro parts on Tapepro Drywall Tools. Using other brands parts on a Tapepro tool may affect the operation of the product and void warranty.

PRO-REACH SUPERLITE FLAT BOX HANDLE FHX-SL

Spare Parts Diagram

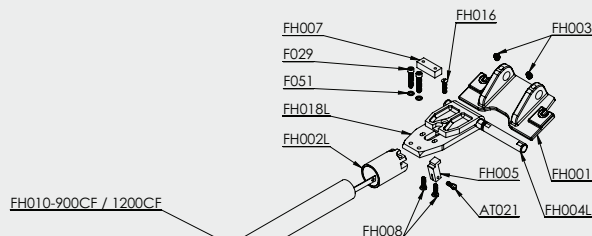


PRO-REACH SUPERLITE FLAT BOX HANDLE SPARE PARTS

Code	Description
FH001	Connector Plate
FH002L	Hinge Tube
FH003	1/4"-28 x 3/8" Set Screw Cup Pt
FH004L	Pivot Pin
FHX005	Handle cam
FH007	Retainer
FH008	8-32 x 5/8" B.H. Screw
FH009	Flat Box Handle Grip
FHX010CF	Extension Handle Tube - Filament Wound Carbon Fibre
FHX011R	Connector Rod
FHX011S	Extension Handle Strap
FHX012	Extendable Handle Sleeve
FH016	8-32 x 3/4 Oval Hd. Screw
FH018LA	Hinge Plate Light Anodised
FHX019	Extendable Handle inner tube
FHX020A	Brake Housing End Plate
FHX020B	Brake Housing End Plate
FHXA020	Brake Housing Assembly
FHX025	Extension Sleeve
FHX026	Locating Pin
FHX027	Extension Lever
FHX029	Brake Washer
FHX030	Steel Pin 4 x 50
FHX033	Brake Spring SS
FHX035	Extension Stop
FHX036	WC Dowel Pin 3/32 x 1/4"
FHX037	Spring Pin M5 x 20 SS

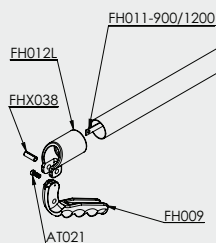
PRO-REACH SUPERLITE FLAT BOX HANDLE SPARE PARTS

Code	Description
FHX038	Spring Pin .25 x .75 SS
AT021	8-32 x 10mm Fillister Hd Screw
AT052	4-40 x 5/16 Ft. Hd. Screw
AT100	Spring
CR009	1/4-20 Thin Nylock
F029	10-32 x 1" Soc Hd Cap Screw
F051	#10 Lock Washer



SUPERLITE FLAT BOX HANDLES FHSL

Spare Parts Diagram



SUPERLITE FLAT BOX HANDLES SPARE PARTS

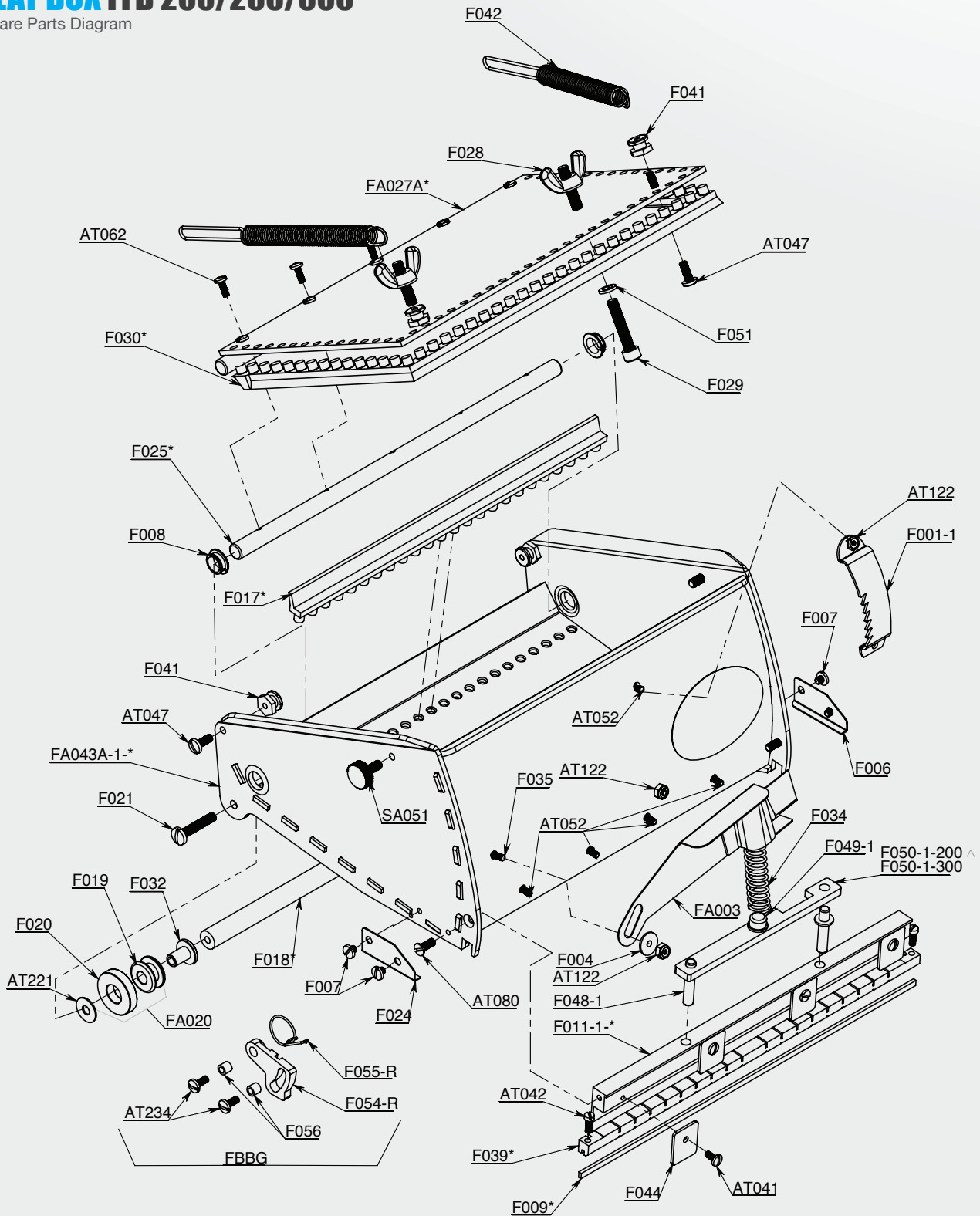
Code	Description	\$ ea Exc	Code	Description	\$ ea Exc
FH001	Connector Plate	\$82.85	FH011-900	Handle Connector Strap 900mm	\$26.10
FH002L	Hinge Tube Light	\$75.75	FH011-1200	Handle Connector Strap 1200mm	\$28.20
FH003	1/4"-28 x 3/8" Set Screw Cup Pt	\$2.25	FH012L	Sleeve	\$126.10
FH004L	Pivot Pin Light	\$35.35	FHX038	Spring Pin .25 x .75 SS	\$4.05
FH005	Locking Cam	\$31.10	FH016	8-32 x 3/4 Oval Hd. Screw	\$0.95
FH007	Retainer	\$26.30	FH018L	Hinge Plate Light	\$126.25
FH008	8-32 x 5/8" B.H. Screw	\$0.85	AT021	8-32 x 7/16" Fillister Hd Screw	\$0.53
FH009	Flat Box Handle Grip	\$69.00	F029	10-32 x 1" Soc Hd Cap Screw	\$1.59
FH010-900CF	Carbon Fibre Tube 28 x 787mm	\$143.95	F051	#10 Lock Washer	\$0.32
FH010-1200CF	Carbon Fibre Tube 28 x 1092mm	\$195.95			

Use only genuine Tapepro parts on Tapepro Drywall Tools. Using other brands parts on a Tapepro tool may affect the operation of the product and void warranty.

AUTOMATIC TAPING TOOLS

FLAT BOX FFB 200/250/300

Spare Parts Diagram



^Use F050-1-200 for 200 and 250

Use only genuine Tapepro parts on Tapepro Drywall Tools. Using other brands parts on a Tapepro tool may affect the operation of the product and void warranty.

■ TAPEPRO FLAT BOX SPARE PARTS.....cont

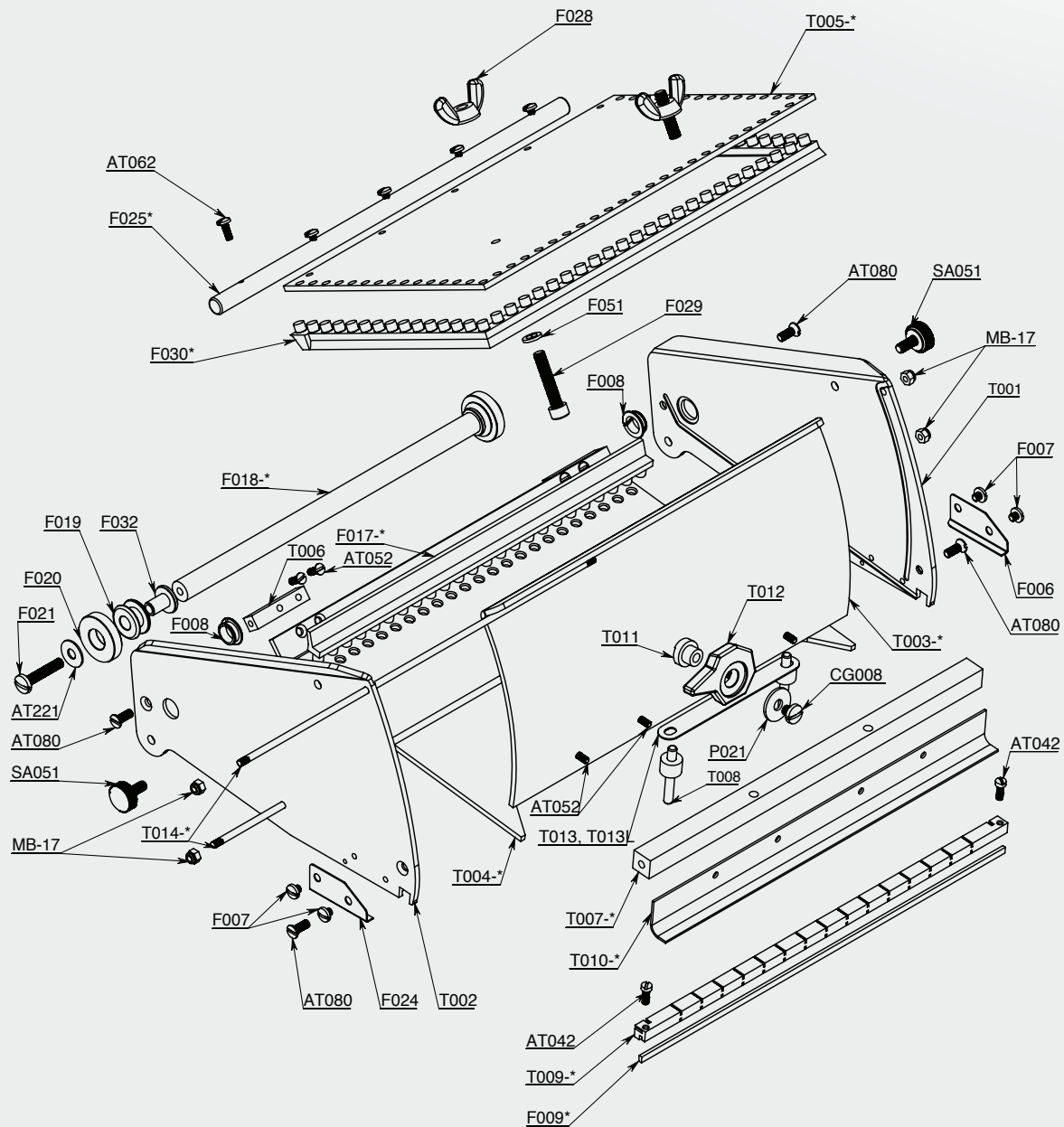
Code	Description	Code	Description
F001-1	Ratchet	F035	4-40 x 3/8" Flt. Hd. Screw
FA003	Lever Assembly	F039-200	Blade Holder 200mm
F004	Flanged Bushing	F039-250	Blade Holder 250mm
F006	Skid	F039-300	Blade Holder 300mm
F007	5-40 x 1/8" B.H. Screw	F041	Spring Anchor
F008	Nyliner	F042	Pressure Plate Spring
F009-200	Blade 200mm	FA043-200A	Flat Box Assembly 200mm Anodised
F009-250	Blade 250mm	FA043-250A	Flat Box Assembly 250mm Anodised
F009-300	Blade 300mm	FA043-300A	Flat Box Assembly 300mm Anodised
F011-1-200	Blade Holder Retainer 200mm	F044	Blade Holder Tab
F011-1-250	Blade Holder Retainer 250mm	F048-1	Actuator Pin
F011-1-300	Blade Holder Retainer 300mm	F049-1	Push Rod (Equaliser Bar)
F017-200	Axle Wiper 200mm	F050-1-200	Equaliser Bar 200, 250mm
F017-250	Axle Wiper 250mm	F050-1-300	Equaliser Bar 300mm
F017-300	Axle Wiper 300mm	Code	Description
F018-200	Wheel Axle 200mm	F051	#10 Lock Washer
F018-250	Wheel Axle 250mm	AT041	4-40 x 1/4 B.H. Screw
F018-300	Wheel Axle 300mm	AT042	4-40 x 5/16 Fillister Hd
F019	Wheel	AT047	6-32 x 3/8 B.H. Screw
F020	Tyre	AT052	4-40 x 5/16 Flt. Hd. Screw
FA020	Tyre & Wheel Assembly	AT062	4-40 x 5/16 B.H. Screw
F021	8-32 x 7/8 B.H. Screw	AT080	6-32 x 3/8 Flt. Hd. Screw
F024	Skid	AT122	4-40 Nylock
F025-200	Axle Pressure Plate 200mm	AT221	#8 Flat Washer
Code	Description	AT226	4-40 x 7/16 B.H. Screw
F025-250	Axle Pressure Plate 250mm	SA051	Thumb Screw
F025-300	Axle Pressure Plate 300mm	F053	Self Clinching Nut
F027-200A	Pressure Plate 200mm Anodised	F006-2PK	Flat Box Skids Left/Right
F027-250A	Pressure Plate 250mm Anodised	F007-4PK	Skid Screws 4 pack
F027-300A	Pressure Plate 300mm Anodised	F008-2PK	Flat Box Nyliner Set
F028	10-32 Wing Nut	F032-2PK	Wheel Bush 2 pack
F029	10-32 x 1" Soc Hd Cap Screw	FA020-2PK	Flat Box Tyre & Wheel Set
F030-200	Pressure Plate Wiper 200mm	SA051-2PK	Thumb Screw 2pkt Tapepro
F030-250	Pressure Plate Wiper 250mm	MK03-200	Flat Box Blades 200mm 3 pack
F030-300	Pressure Plate Wiper 300mm	MK03-250	Flat Box Blades 250mm 3 pack
F032	Bushing	MK03-300	Flat Box Blades 300mm 3 pack
F034	Spring	MK06-200	Flat Box Blades 200mm 10 pack
		MK06-250	Flat Box Blades 250mm 10 pack
		MK06-300	Flat Box Blades 300mm 10 pack

* Please specify a size when ordering

AUTOMATIC TAPING TOOLS

T2 FLAT BOXES™ T-150/200/250/300

Spare Parts Diagram



Use only genuine Tapepro parts on Tapepro Drywall Tools. Using other brands parts on a Tapepro tool may affect the operation of the product and void warranty.

■ T2 FLAT BOX SPARE PARTS

Code	Description	Code	Description
T001	Side Plate (Left)	F020	Tyre
T002	Side Plate (Right)	FA020	Tire & Wheel Assembly
T003-8	Radius Plate 200mm	F021	8-32 x 7/8 B.H. Screw
T003-10	Radius Plate 250mm	F024	Skid
T003-12	Radius Plate 300mm	F025-200	Axle Pressure Plate 200mm
T004-8	Bottom Plate 200mm	F025-250	Axle Pressure Plate 250mm
T004-10	Bottom Plate 250mm	F025-300	Axle Pressure Plate 300mm
T004-12	Bottom Plate 300mm	F027-200A	Pressure Plate 200mm Anodized
T005-8	Pressure Plate 200mm	F027-250A	Pressure Plate 250mm Anodized
T005-10	Pressure Plate 250mm	F027-300A	Pressure Plate 300mm Anodized
T005-12	Pressure Plate 300mm	F028	10-32 Wing Nut
T006	Brace	F029	10-32 x 1" Soc Hd Cap Screw
T007-8	Retainer 200mm	F030-200	Pressure Plate Wiper 200mm
T007-10	Retainer 250mm	F030-250	Pressure Plate Wiper 250mm
T007-12	Retainer 300mm	F030-300	Pressure Plate Wiper 300mm
T008	Push Rod	F032	Bushing
T009-8	Blade Holder 200mm	F051	#10 Lock Washer
T009-10	Blade Holder 250mm	F053	Self Clinching Nut
T009-12	Blade Holder 300mm	AT042	4-40 x 5/16 Fillister Hd
T010-8	Blade Holder Seal 200mm	AT052	4-40 x 5/16 Flt. Hd. Screw
T010-10	Blade Holder Seal 250mm	AT062	4-40 x 5/16 B.H. Screw
T010-12	Blade Holder Seal 300mm	AT080	6-32 x 3/8 Flt. Hd. Screw
T011	Cam Bush	AT120	4-40 x 1/4 Flt. Hd. Screw
T012	Cam	AT221	#8 Flat Washer
T013	Spring Flat Small	CG008	8-32 x 3-16 BH Screw
T013L	Spring Flat Large	MB-17	Nut M3 Stainless Steel Nylock
T014-8	Tie Rod 200mm	P021	Washer
T014-10	Tie Rod 250mm	SA051	Thumb Screw
T014-12	Tie Rod 300mm	F006-2PK	Flat Box Skids Left/Right
F006	Skid	F007-4PK	Skid Screws 4 pack
F007	5-40 x 1/8" B.H. Screw	F008-2PK	Flat Box Nyliner Set
F008	Nyliner	F032-2PK	Wheel Bush 2 pack
F009-200	Blade 200mm	FA020-2PK	Flat Box Tire & Wheel Set
F009-250	Blade 250mm	SA051-2PK	Thumb Screw 2 pack
F009-300	Blade 300mm	MK03-200	Flat Box Blade 200mm 3 pack
F017-200	Axle Wiper 200mm	MK03-250	Flat Box Blade 250mm 3 pack
F017-250	Axle Wiper 250mm	MK03-300	Flat Box Blade 300mm 3 pack
F017-300	Axle Wiper 300mm	MK06-200	Flat Box Blade 200mm 10 pack
F018-200	Wheel Axle 200mm	MK06-250	Flat Box Blade 250mm 10 pack
F018-250	Wheel Axle 250mm	MK06-300	Flat Box Blade 300mm 10 pack
F018-300	Wheel Axle 300mm		
F019	Wheel		

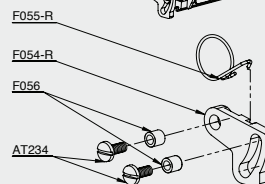
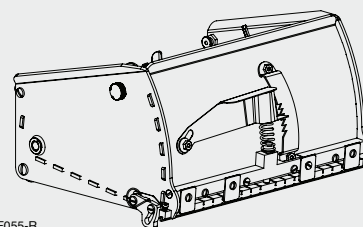
* Please specify a size when ordering

FLAT BOX BEAD GUIDES FBG

Spare Parts Diagram

■ FLAT BOX BEAD GUIDES SPARE PARTS

Code	Description
F054L	Flat Box Bead Guide - Left
F054R	Flat Box Bead Guide - Right
F055L	Bead Guide Spring - Left
F055R	Bead Guide Spring - Right
F056	Bead Guide Bush

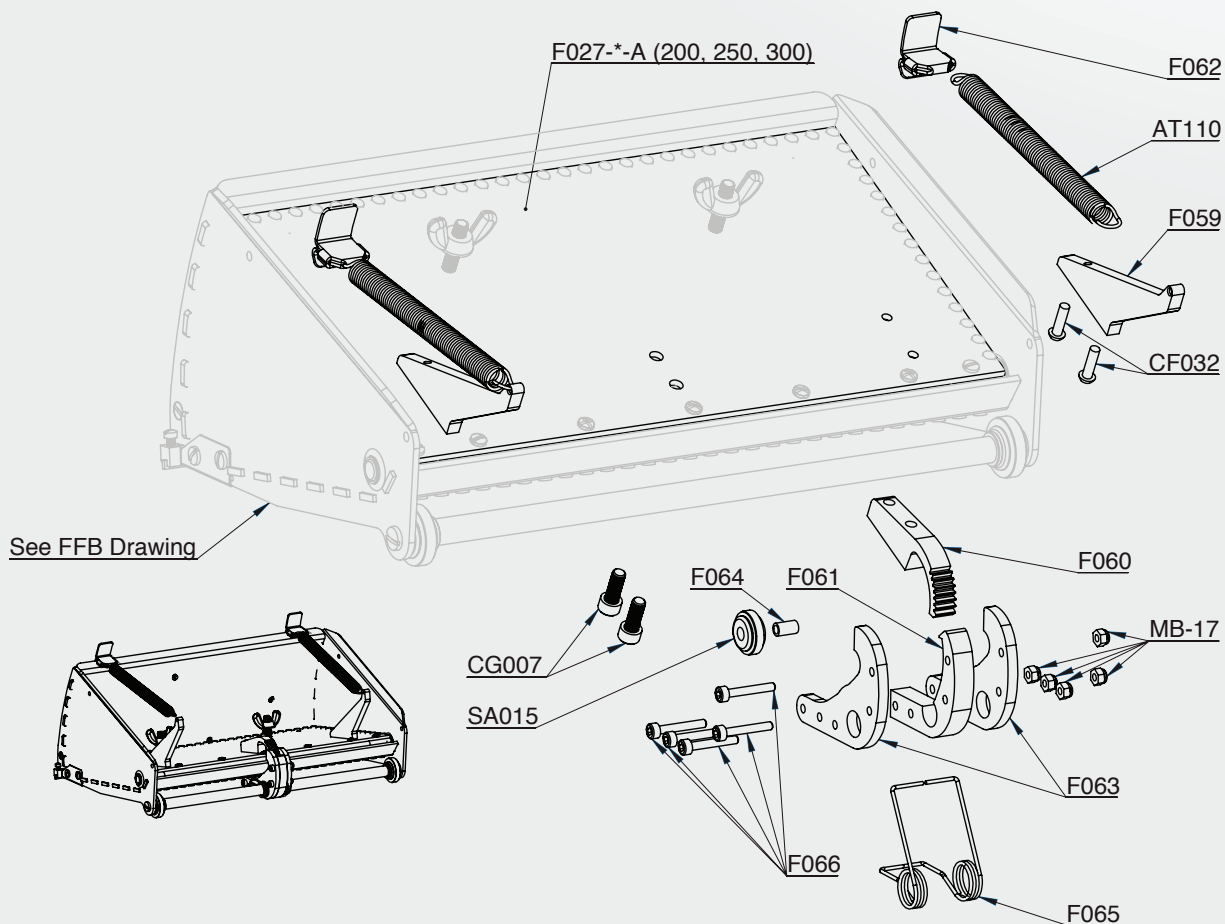


Use only genuine Tapepro parts on Tapepro Drywall Tools. Using other brands parts on a Tapepro tool may affect the operation of the product and void warranty.

AUTOMATIC TAPING TOOLS

BOOSTER® AUTOMATIC FLAT BOX AB-200/250/300

Spare Parts Diagram



■ BOOSTER AUTOMATIC FLAT BOX SPARE PARTS

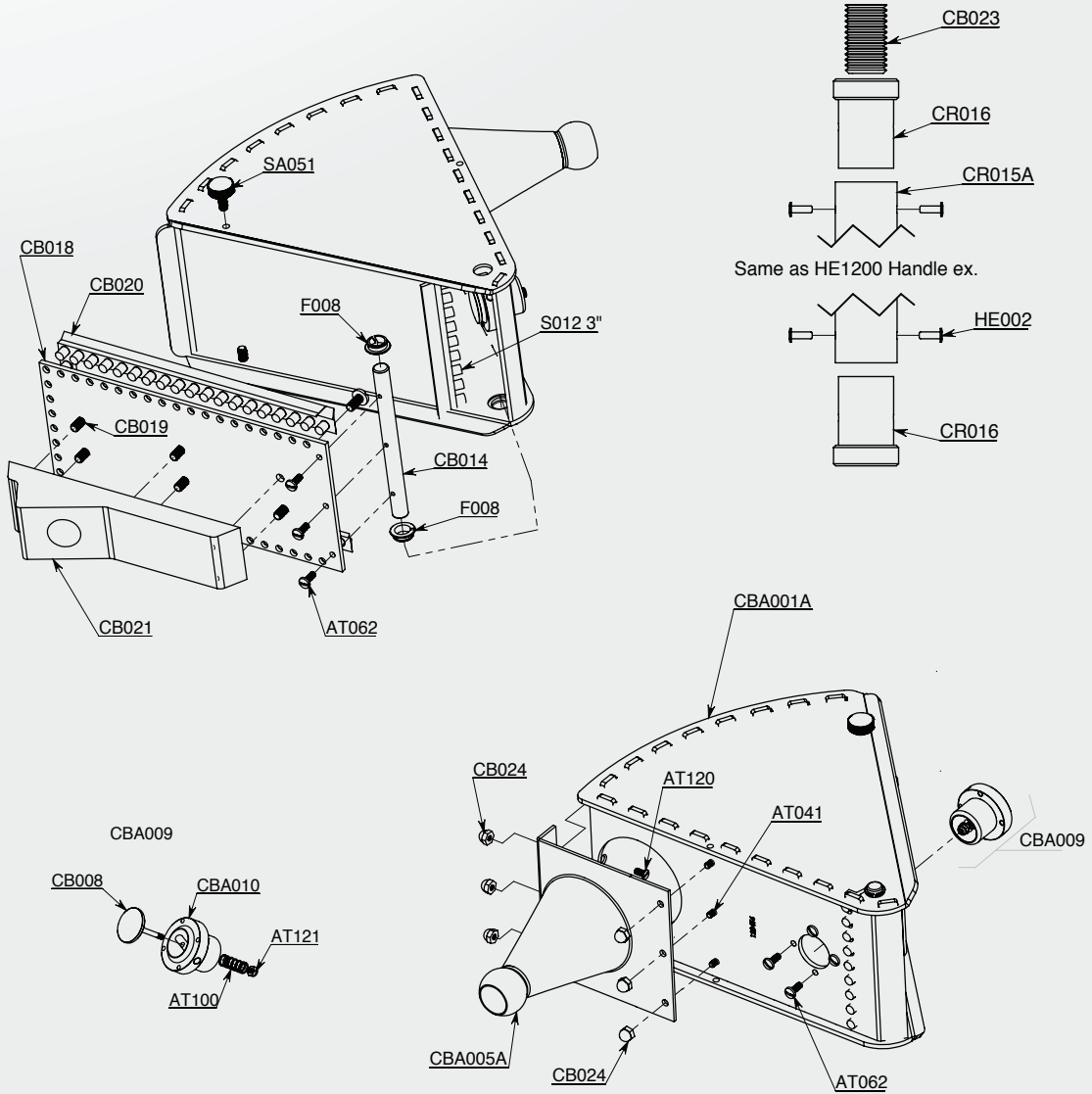
Code	Description	Code	Description
AT110	Pressure Plate Spring	F065	Torsion Spring
F059	Spring Hanger	F066	M3 x 20 SHCS SS
F060	Arc	S014	Wheel
F061	Pawl	S015	Tyre
F062	Spring Hook	SA015	Tyre and Wheel Assembly
F063	Side Plate		
F064	Wheel Bush		

* Please specify a size when ordering

Use only genuine Tapepro parts on Tapepro Drywall Tools. Using other brands parts on a Tapepro tool may affect the operation of the product and void warranty.

CORNER BOX CA-H

Spare Parts Diagram



■ TAPEPRO CORNER BOX SPARE PARTS

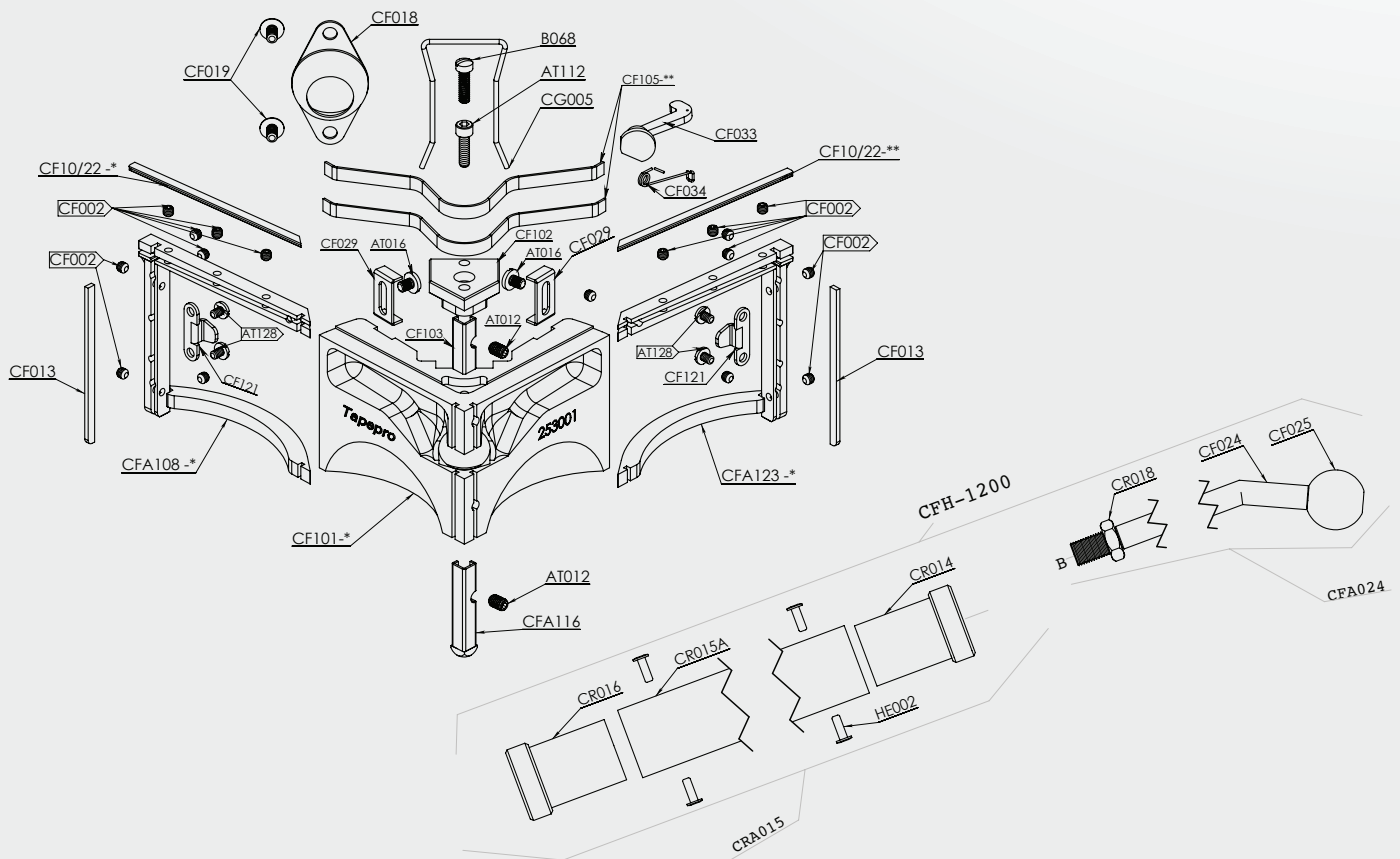
Code	Description	Code	Description
CBH	Corner Box Head Assembly	AT041	4-40 x 1/4 B.H. Screw
CBA001A	Box Assembly	AT062	4-40 x 5/16 B.H. Screw
CBA005	Cone Assembly Stainless Steel	AT100	Spring
CBA005A	Cone Assembly Stainless Steel (without bend)	AT120	4-40 x 1/4 Flt. Hd. Screw
CB008	Filler Valve	AT121	3-48 Nylock
CBA009	Filler Body Assembly	CF031	Swivel
CB014	Axle	CRA015A	Handle Tube Only
CB018	Pressure Plate	CR016	Handle End
CB019	Screw	F008	Nyliner
CB020	Pressure Plate Wiper	SA051	Thumb Screw
CB021	Handle Bracket	SA051-2pk	Thumb Screw 2pkt Tapepro
CB023	Stud	S012-75	Axle Wiper 75mm
CB024	4-40 Cap Nut	XH023	Corner Box Adaptor Stud

Use only genuine Tapepro parts on Tapepro Drywall Tools. Using other brands parts on a Tapepro tool may affect the operation of the product and void warranty.

AUTOMATIC TAPING TOOLS

CORNER FINISHER & HANDLE CF-65/75/90

Spare Parts Diagram



■ TAPEPRO CORNER FINISHER SPARE PARTS

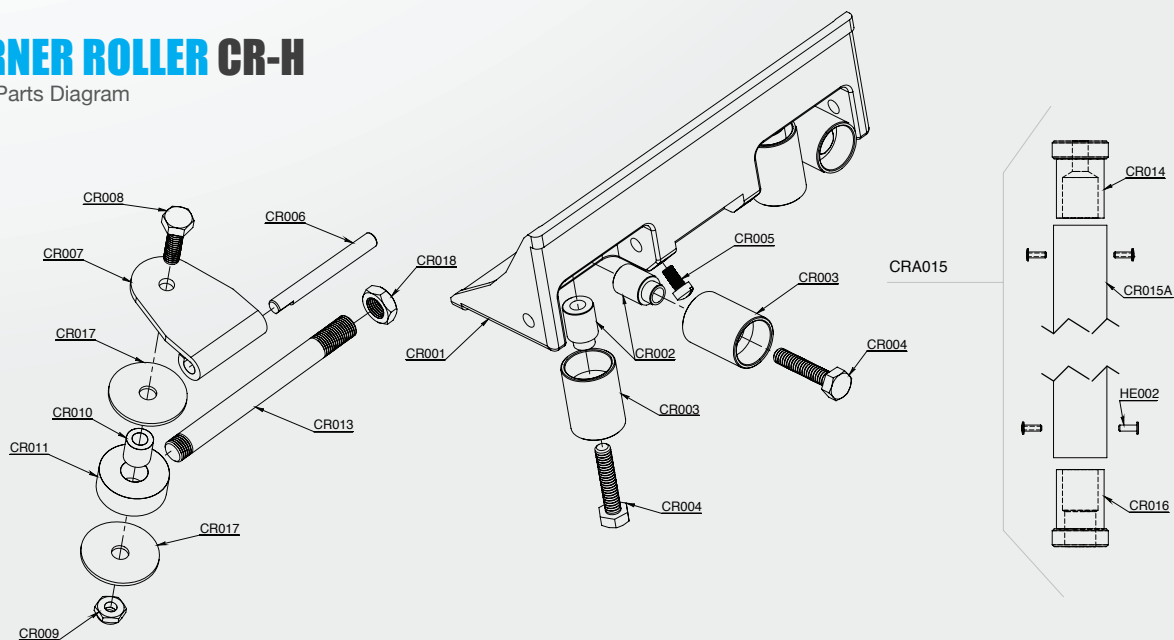
Code	Description	CF105-75	Spring 75mm (Fits all Corner Finishers)
CF002	6-32 x 1/8" Socket Set Flat.Pt	CF121	Corner Finisher Frame Stop
CF003	Upper Clip (Old Style/Premier)	CFA108-65	Frame Assembly 65mm
CF005-50	Spring - 50mm (Old Style/Premier)	CFA108-75	Frame Assembly 75mm
CF005-75	Spring - 75mm (Old Style/Premier)	CFA108-90	Frame Assembly 90mm
CF007	4-40 X 3/16 Set Screw Cup Pt.	CFA116	Lower Clip Assembly
CF009	4-40 x 5mm Set Screw (Black)	CFA123-65	Frame Assembly 65mm
CF10/22-65	Carbide Blade 65mm	CFA123-75	Frame Assembly 75mm
CF10/22-75	Carbide Blade 75mm	CFA123-90	Frame Assembly 90mm
CF10/22-90	Carbide Blade 90mm	AT012	8-32 x 1/4 Set Screw Cut Pt
CF013	Skid	AT029	4-40 x 1/4 Set Screw Cup
CFA016	Lower Clip Assembly (Old Style/Premier)	AT112	6-32 x 1/2 Soc Cap Screw
CF018	Ball Socket	CRA015	Handle
CF019	6-32 x 1/4 Truss Hd. Screw	CR016	Handle End
CF020	Ball Retainer	CR014	Handle End
CFA024	Ball Shaft	AT128	4-40 x 5/32 B.H. Screw
CF026	5/16"-24 Hex Nut	CF102	Corner Finisher Top Piece
CF027	Handle End	CG005	Retainer Spring
CF031	Swivel	CF033	Clamp Pin
CF101-65	Head 65mm	CF034	CF Torsion Spring
Code	Description	CF105-65	Spring 65mm
CF101-75	Head 75mm	CF105-75	Spring 75mm
CF101-90	Head 90mm	CF105-90	Spring 90mm
CF103	Corner Finisher Upper Clip		

* Please specify a size when ordering. * For CF-XH please see XH diagram.

Use only genuine Tapepro parts on Tapepro Drywall Tools. Using other brands parts on a Tapepro tool may affect the operation of the product and void warranty.

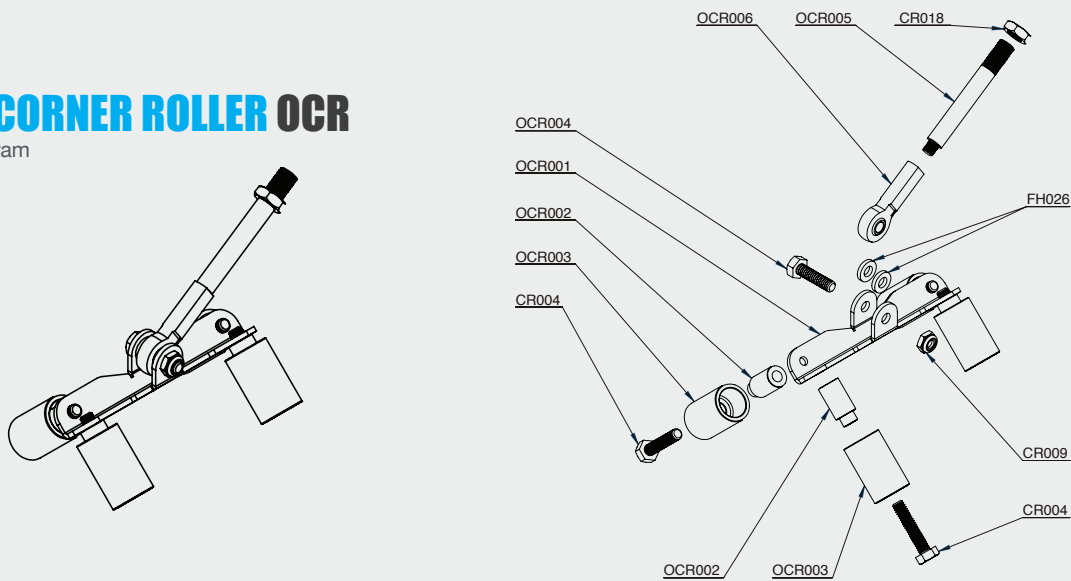
CORNER ROLLER CR-H

Spare Parts Diagram



OUTSIDE CORNER ROLLER OCR

Spare Parts Diagram



■ TAPEPRO CORNER ROLLER SPARE PARTS

Code	Description	Code	Description
CR001	Corner Roller Head Only	CR015A	Handle Tube Only
CRA001	Corner Roller Head Assembly	CRA015	Corner Roller Handle
CR002	Bushing	CR016	Handle End
CR003	Roller Stainless Steel	CR017	Washer
CR004	1/4" -20 x 1-1/4" Hex Head Screw	CR018	3/8"-24 Low Profile Hex Nut
CR005	10-32 x 3/8" Fillister Hd.Screw		OCR
CR006	Swivel Pin	OCR001	Outside Corner Roller Head
CR007	Swivel Post	OCR002	Stainless Steel Bushing
CR008	1/4" - 20 x 7/8" head screw	OCR004	1/4-20 x 1 Hex hd Screw
CR009	1/4-20 Thin Nylock	OCR005	SS Rod
CR010	Bushing	OCR006	1/4 Female Rod End
CR011	Adaptor	FH026	Acetal Washer
CR013	Shaft Stainless Steel		
CR014	Handle End		

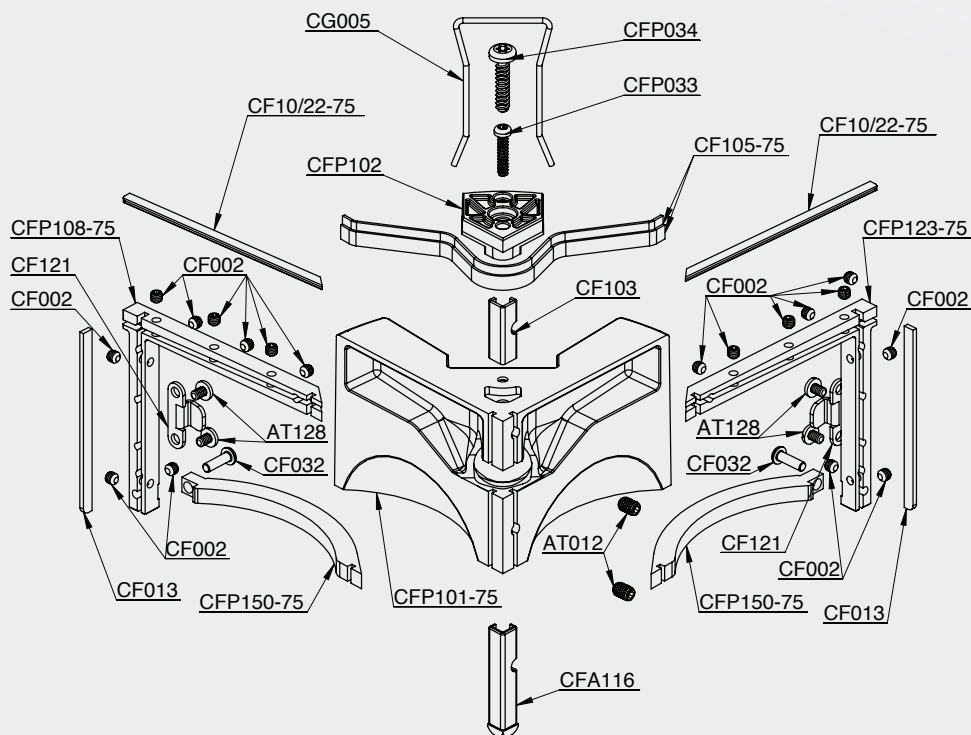
* For CR-XH / OCR-XH please see XH diagram

Use only genuine Tapepro parts on Tapepro Drywall Tools. Using other brands parts on a Tapepro tool may affect the operation of the product and void warranty.

AUTOMATIC TAPING TOOLS

CORNER FINISHER PLASTIC 75MM CFP-75

Spare Parts Diagram



■ TAPEPRO CORNER FINISHER SPARE PARTS

Code	Description	Code	Description
CF002	6-32 x 1/8" Socket Set Flat.Pt	CFP108-75	CFP-75 Right Frame
CF10/22-75	Carbide Blade 75mm	CFP123-75	CFP-75 Left Frame
CF013	Skid	CFP150-75	CFP-75 Frame Lower Bar
CF103	Corner Finisher Upper Clip	CFP033	3mm PT Screw
CF105-75	Spring 75mm (Fits all Corner Finishers)	CFP034	4mm PT Screw
CF121	Frame Stop	CF032	6-32 x 3/8 SHCS SS
CFA116	Lower Clip Assembly	CG005	Spring Retainer
AT012	8-32 x 1/4 Set Screw Cut Pt	CFA024	Ball Shaft
AT128	4-40 x 5/32 BH Screw	CRA015	Handle
CFP101-75	Corner Finisher Head - 75mm	CR016	Handle End
CFP102	Corner Finisher Top Piece		

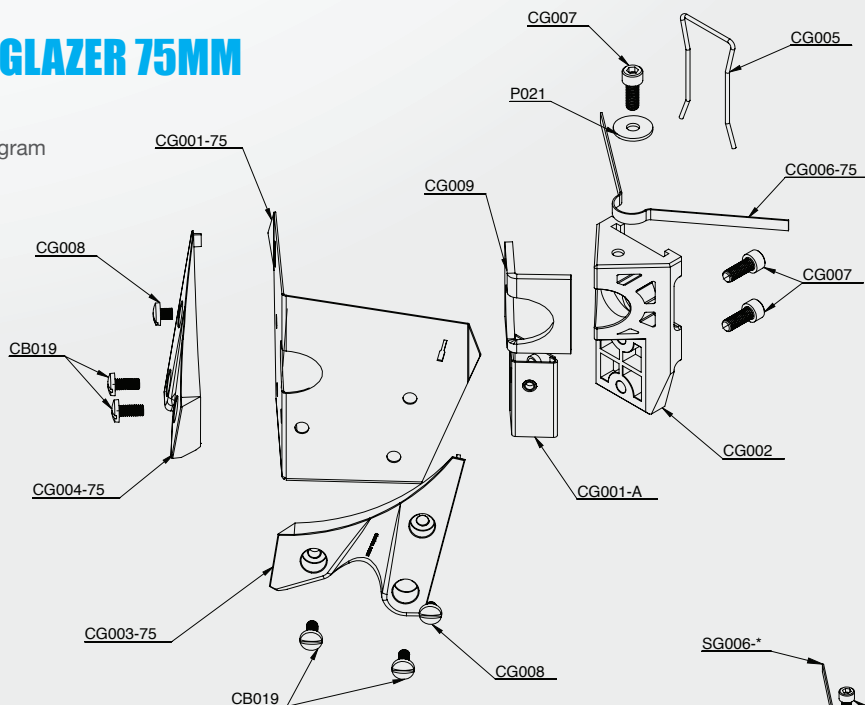
* Please specify a size when ordering. * For CF-XH please see XH diagram.

Use only genuine Tapepro parts on Tapepro Drywall Tools. Using other brands parts on a Tapepro tool may affect the operation of the product and void warranty.

CORNER GLAZER 75MM

CG-75

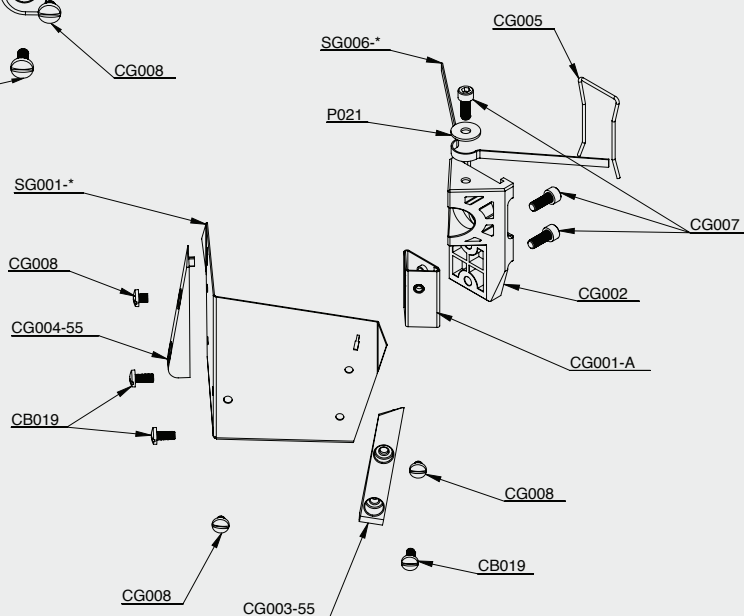
Spare Parts Diagram



STRAIGHT GLAZER 75MM

SG-55/75/90

Spare Parts Diagram



■ TAPEPRO CORNER GLAZER SPARE PARTS

Code	Description
CG001-75	Corner Glazer Head 75mm
CG001-A	Brace
CG002	Ball Socket Block
CG003-75	Corner Glazer Skid Right
CG004-75	Corner Glazer Skid Left
CG005	Corner Glazer Spring Retainer
CG006-75	Flat Spring 75mm Corner Glazer
CG007	10-32 x 1/2 Soc Hd Cap Screw Stainless Steel
CG008	8-32 x 3-16 BH Screw
CG009	Gasket
CB019	Screw
P021	Washer

* Please specify a size when ordering

■ TAPEPRO STRAIGHT GLAZER SPARE PARTS

Code	Description
CG001-55	Glazer Head 55mm
SG001-75	Glazer Head 75mm
SG001-90	Glazer Head 90mm
CG001-A	Brace
CG002	Ball Socket Block
CG003-55	Glazer Skid Right
CG004-55	Glazer Skid Left
CG005	Glazer Spring Retainer
CG006	Flat Spring 55mm
CG006-75	Flat Spring 75mm
SG006-90	Flat Spring 90mm
CG007	10-32 x 1/2 Soc Hd Cap Screw Stainless Steel
CG008	8-32 x 3-16 BH Screw
CB019	Screw
P021	Washer

* Please specify a size when ordering

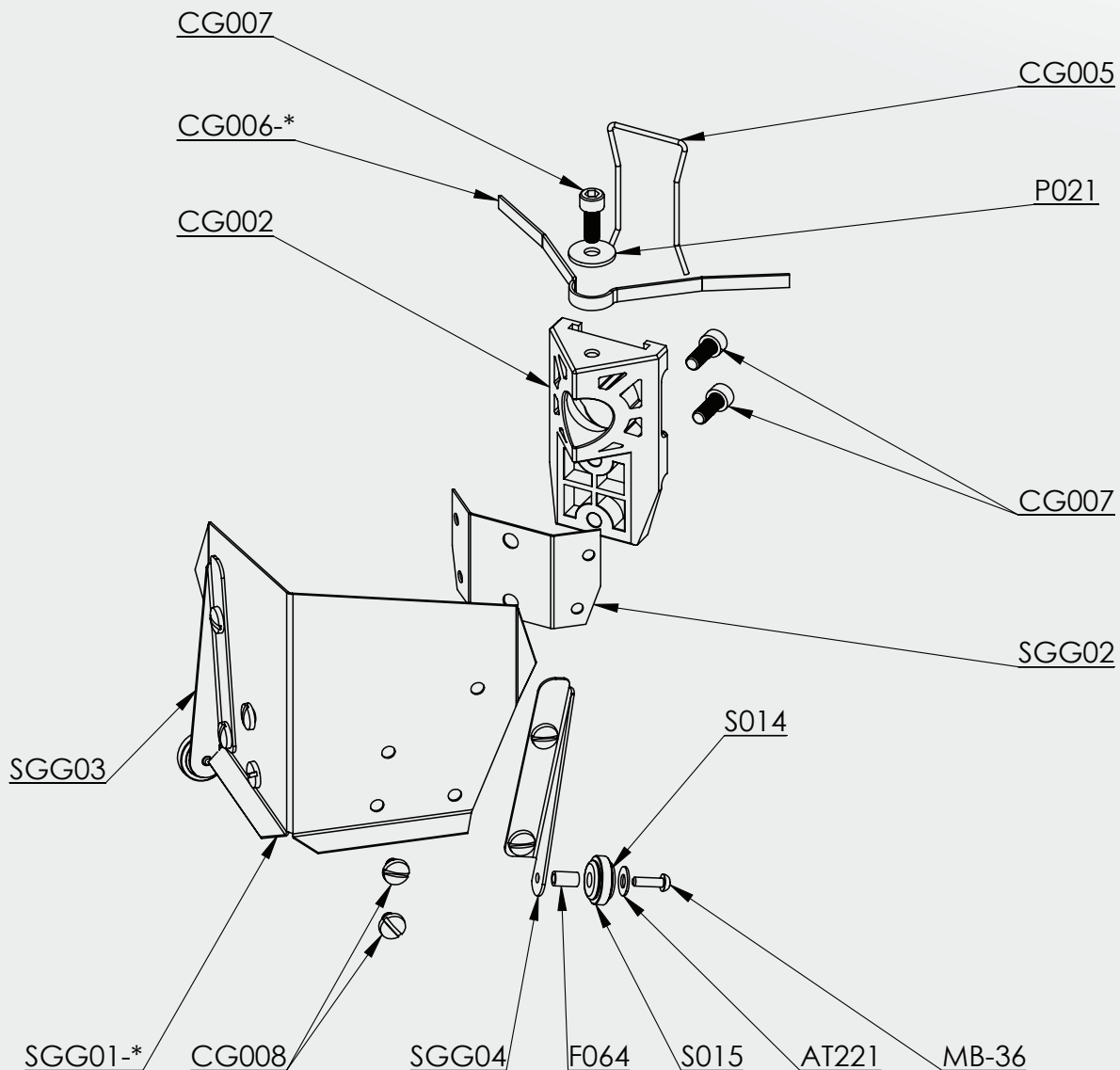
Use only genuine Tapepero parts on Tapepero Drywall Tools. Using other brands parts on a Tapepero tool may affect the operation of the product and void warranty.

AUTOMATIC TAPING TOOLS

STRAIGHT GLAZER GLIDER SERIES 75MM

SGG-60/80/95

Spare Parts Diagram



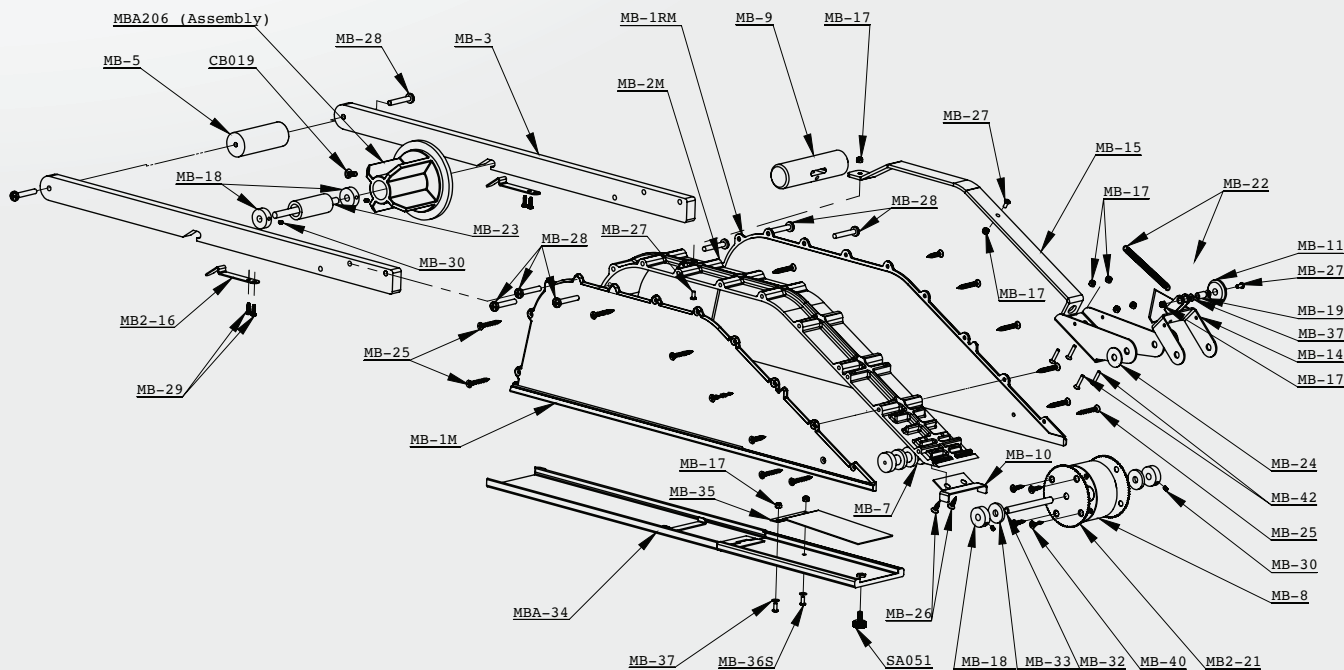
TAPEPRO STRAIGHT GLAZER GLIDER SERIES SPARE PARTS

Code	Description	Code	Description
SGG02	Brace	CG005	Corner Glazer Spring Retainer Tapepro
SGG03	Wheel Brace - Right	P021	Washer
SGG04	Wheel Brace - Left	S014	Wheel Tapepro
SGG01-*	Glider Glazer Head - (Size)	CG008	8-32 x 3-16 BH Screw
CG007	10-32 x 1/2 SHCS SS Tapepro	F064	Wheel Bush Tapepro
CG006	Flat Spring 55mm	S015	Tyre Tapepro
CG002	Ball Socket Block	AT2221	#8 Flat Washer
		MB-36	Screw Pan M3 x 10 S/S Tapepro

Use only genuine Tapepro parts on Tapepro Drywall Tools. Using other brands parts on a Tapepro tool may affect the operation of the product and void warranty.

MUD BOX WMB-L

Spare Parts Diagram



■ TAPEPRO MUD BOX SPARE PARTS

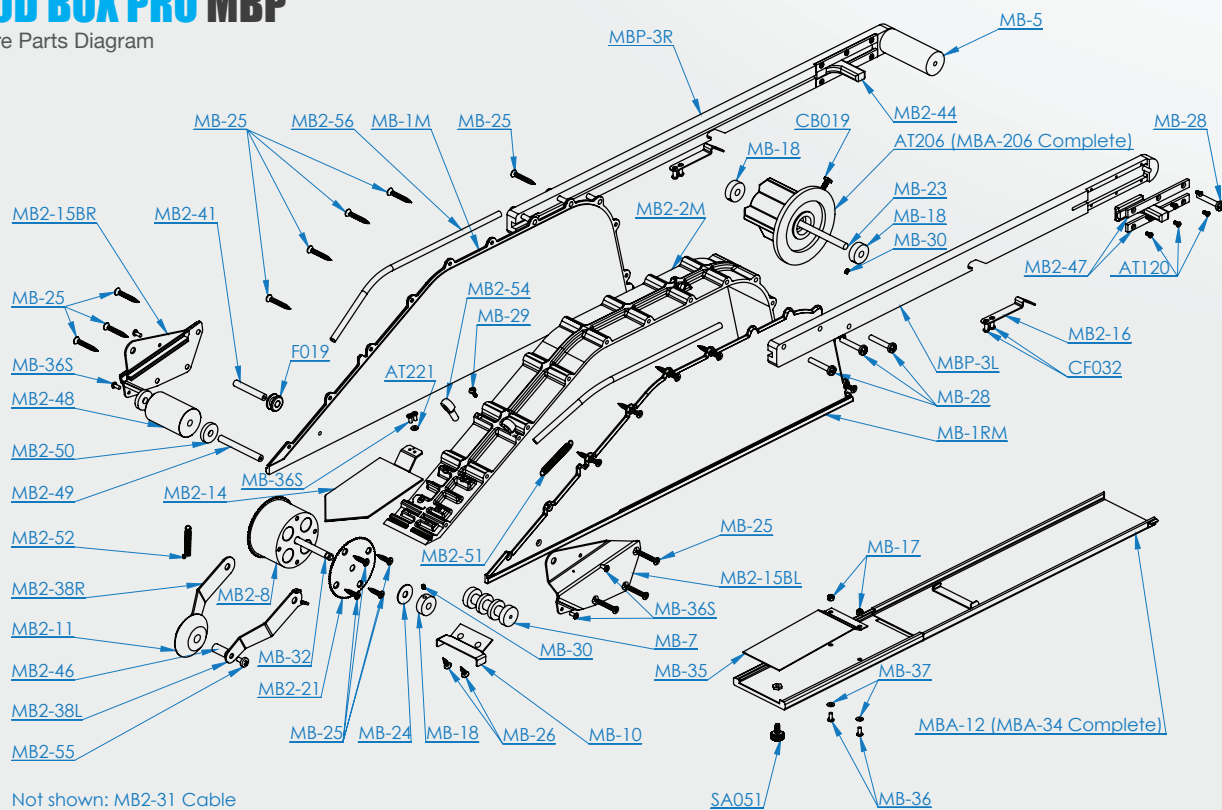
Code	Description	Code	Description
MB-1M	Side Plate Left - Moulded	MB-22	Tension Spring Stainless Steel
MB-1-RM	Side Plate Right - Moulded	MB-23	Round Bar Stainless Steel 90mm Long
MB-2M	Top Plate - Moulded	MB-24	Washer Stainless Steel 1/4 x 3/4
MB-3	Tape Arm	MB-25	Screw C.S 6g x 3/4 Stainless Steel
MB-4	End Plate	MB-26	Screw CS 3/8 Stainless Steel
MB-5	Tape Arm Spacer	MB-27	Screw P.H. M3 x 16
MB-6	Tape Spool (old style)	MB-28	Screw P.H. 1 1/4
MB-7	Mud Retainer	MB-29	Screw P.H. 6g x 3/8 Stainless Steel
MB-8	Tape Wheel Spacer	MB-30	Grub Screw M4 x 6 Stainless Steel
MB-9	Handle	MBA-31	Wire Cable Stainless Steel with 2 clamps
MB-10	Tape Guide	MB-32	Round Bar 66mm Long Stainless Steel
MB-11	Creaser Wheel	MB-33	Washer 3/4" Stainless Steel
MB-14	Cutter	MBA-34	Top Cover Plate Assembly Complete
MB-15	Hand Slide	MB-35	Mud Adjuster Plate
MB-16	Tape Spool Retainer (old style)	MB-36	M3 x 10 Pan Screw Stainless Steel
MB2-16	Mud Box Pro Tape Spool Spring	MB-37	M3x7x.05 Flat Round Washer
MB-17	Nut M3 Stainless Steel Nylock	MBA-12	Lid Assembly with Hinge
MB-18	Tape Spool Spacer	MBA-206	Tape Spool Assembly
MB-19	Creaser Wheel Shaft	SA051	Thumb Screw
MB2-21	Tape Wheel	MB-18-2PK	Tape Spool Spacer Set
		MB-22-2PK	Tension Spring 2 pack
		SA051-2pk	Thumb Screw 2pkt Tapepro

Use only genuine Tapepro parts on Tapepro Drywall Tools. Using other brands parts on a Tapepro tool may affect the operation of the product and void warranty.

AUTOMATIC TAPING TOOLS

MUD BOX PRO MBP

Spare Parts Diagram



Not shown: MB2-31 Cable

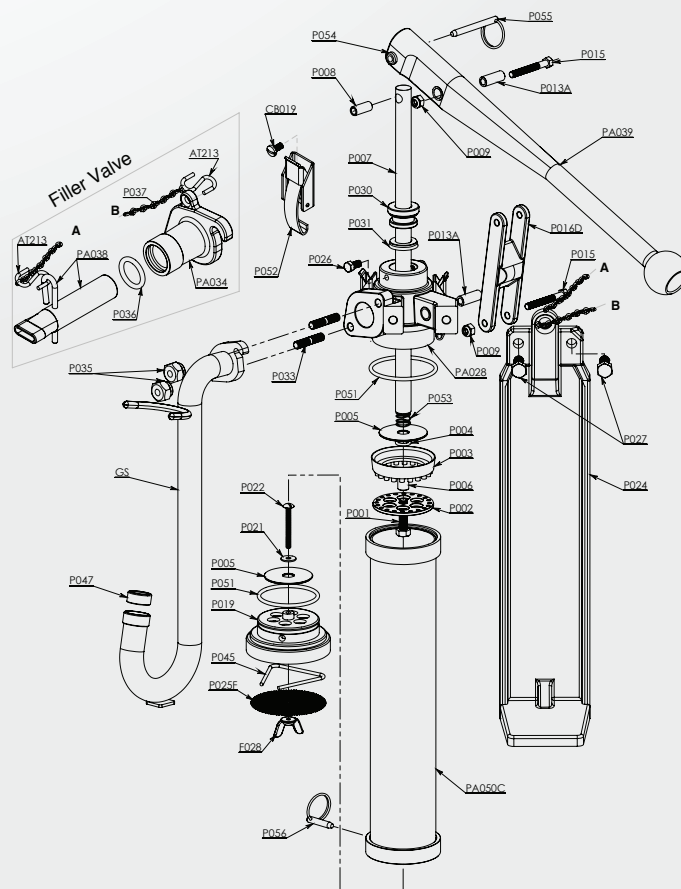
■ TAPEPRO MUD BOX PRO SPARE PARTS

Code	Description	Code	Description
MB-1M	Side Plate Left - Moulded	MB2-21	Mud Box Pro Tape Wheel
MB-1-RM	Side Plate Right - Moulded	MB2-31	Mud Box Pro control cable 1.6mm 7x19
MB-5	Tape Arm Spacer	MB2-38L	Creaser Arm Left
MB-7	Mud Retainer	MB2-38R	Creaser Arm Right
MB-10	Tape Guide	MB2-41	Axle
MB-17	Nut M3 SS Nyloc	MB2-44	Control Handle
MB-18	Tape Spool Spacer	MB2-46	Creaser Wheel Bush
MB-23	Round Bar S/S 90mm long	MB2-47	Arm Cover Plate
MB-24	Washer S/S 1/4 x 3/4	MB2-48	Feed Roller
MB-25	Screw CS 6g x 3/4 SS	MB2-49	Feed Roller Axle
MB-26	Screw CS 3/8 SS	MB2-50	Roller Spacer
MB-28	Screw P.H. 10g x 1-1/4 SS	MB2-51	Cutter Spring
MB-29	Screw P.H. 6g x 3/8 SS	MB2-52	Creaser Spring
MB-30	Grub Screw M4 x 6 SS	MB2-54	Eye Bolt M6x12
MB-32	1/4 Round Bar 63mm long s/s	MB2-55	M5x8SS Phillips Pan Head Screw
MB-35	Mud Flow Adjuster	MBA-12	Lid Assembly with Hinge
MB-36	M3 x 10 Pan Screw SS	MBP-3L	Mud Box Pro Tape arm - left
MB-37	M3X7.0X.05 Flat Round S/S Washer	MBP-3R	Mud Box Pro Tape arm - right
MB2-2M	Top Plate - moulded	AT120	4-40 x 1/4 Flt. Hd. Screw
MB2-8	Mud Box Pro Tape Wheel Spacer	AT206	Tape Spool
MB2-11	Mud Box Pro Creaser Wheel	AT221	#8 Flat Washer
MB2-14	Mud Box Pro Cutter	CB019	8-32 x 3/8 Corner Box Screw
MB2-15BL	Mud Box Pro Support - left	CF032	6-32 x 3/8 hex socket cap screw, SS
MB2-15BR	Mud Box Pro Support - Right	F019	Wheel
MB2-16	Mud Box Pro Tape Spool Spring	SA051	Thumb Screw
		MB-18-2PK	Tape Spool Spacer Set
		SA051-2pk	Thumb Screw 2pkt Tapepro

Use only genuine Tapepro parts on Tapepro Drywall Tools. Using other brands parts on a Tapepro tool may affect the operation of the product and void warranty.

LOADING PUMP LP-EZ, GS, FBF

Spare Parts Diagram



■ TAPEPRO LOADING PUMP SPARE PARTS

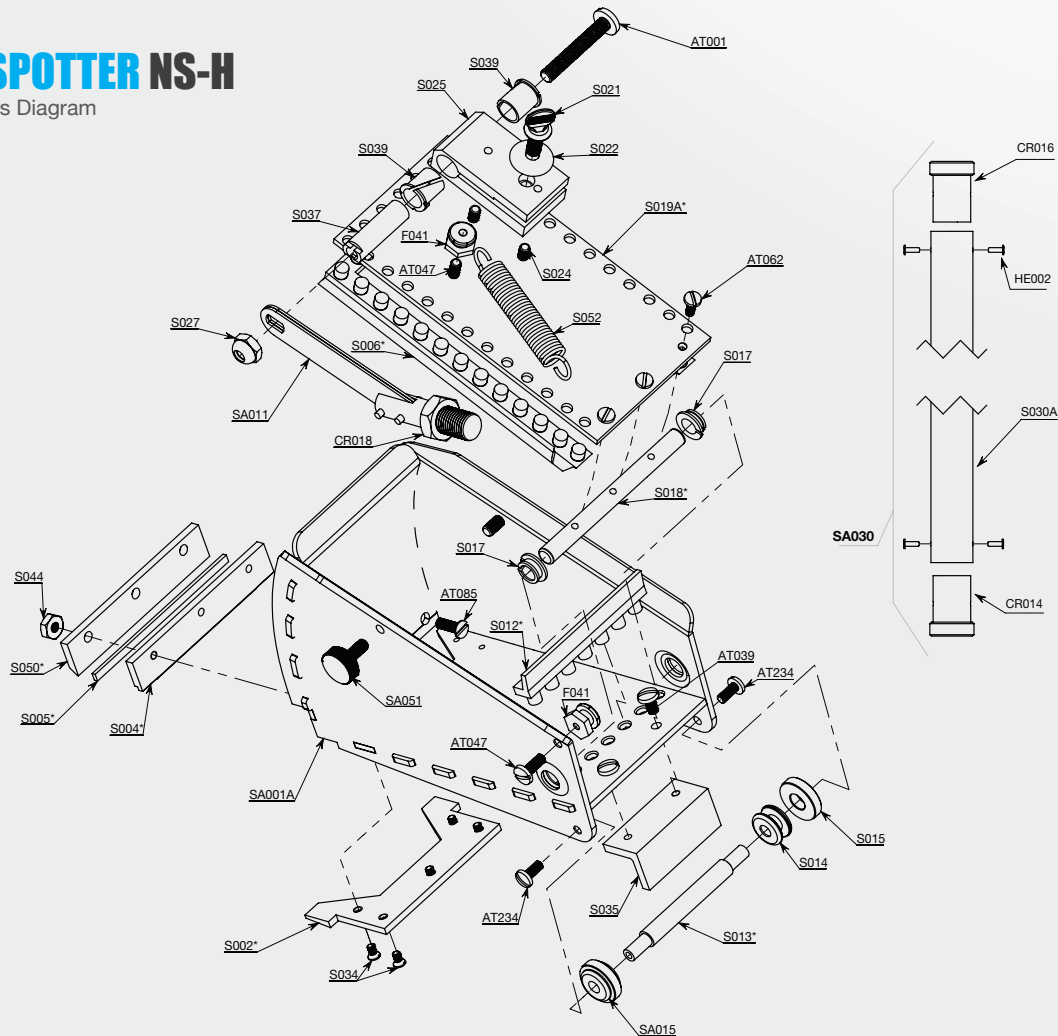
Code	Description	Code	Description
P001	5/16-24 X 1 1/4 Hex Hd. Screw	P030	Plastic Bushing
P002	Piston Disc	P031	U Cup
P003	Piston Wiper	P032	5/16-24 Low Pro Hex Nut
P004	O Ring Piston	P033	Stud
P005	Valve Disc	PA034	Filler Housing, Bushing and "S" Hook
P006	Spacer	P035	Special Nut
P007	Piston Rod	P036	O Ring
P008	Bushing	P037	Stainless Steel Wire Rope
P009	1/4-28 Nylock	PA038	Mud Outlet with Pin 90mm
P010	1/4 - 28 x 1-1/2 Hex Hd. Screw (old style)	PA039	Handle Assembly Cast
PA011C	Handle Assembly (old style)	PA039C	Ball with Handle Assembly
P012	1/4-28 x 2-1/2 Hex Hd. (old style)	P041	1/4 x 2 Detent Ring Pin
P013	Bushing	P045	Screen Support
P013A	Head Bushing Short	P047	Seat
P015	1/4-20 x 2 Hex Hd. Screw	PA050C	Speed Pump Tube
P016C	Link (old style - two legs)	P051	O Ring
P016S	Link Assembly Stainless Steel (old style)	P052	Stainless Steel Clamp
P016D	Link Assembly Die Cast	P053	Loading Pump Valve Spring
P019	Foot Valve	P054	Pump Handle Bush
P021	Washer	P055	1/4" x 1.5" Detent Ring Pin SS
P022	10-32 x 44mm B.H. Screw	P056	1/4" x 3/4" Detent Ring Pin SS
P024	Leg	AT213	S Hook
P025F	Screen - Fine	CB019	Screw
P026	1/4-28 x 1/2 Hex Hd. Screw	CR009	1/4-20 Thin Nylock
P027	3/8-16 x 1 Hex Hd. Screw	F028	10-32 Wing Nut
PA028	Pump Head		

Use only genuine Tapepro parts on Tapepro Drywall Tools. Using other brands parts on a Tapepro tool may affect the operation of the product and void warranty.

AUTOMATIC TAPING TOOLS

NAIL SPOTTER NS-H

Spare Parts Diagram



TAPEPRO NAIL SPOTTER SPARE PARTS

Code	Description	Code	Description
SH-50	Nail Spotter Head Assembly 55mm	S015	Tyre
SH-75	Nail Spotter Head Assembly 75mm	Code	Description
SA001-50	Box Assembly 55mm	SA015	Tyre and Wheel Assembly
SA001-75	Box Assembly 75mm	S017	Nyliner
S002-50	Orifice Plate 55mm	S018-50	Pressure Plate Axle 55mm
S002-75	Orifice Plate 75mm	S018-75	Pressure Plate Axle 75mm
S004-50	Blade Holder 55mm	S019-50	Pressure Plate 55mm
S004-75	Blade Holder 75mm	S019-75	Pressure Plate 75mm
S005-50	Blade 55mm	S021	Thumb Screw
S005-75	Blade 75mm	S022	Bell Washer
S006-50	Pressure Plate Wiper 55mm	S024	6-32 x 5/16 B.H. Screw
S006-75	Pressure Plate Wiper 75mm	S025	Post base
S009	Axle with Hole	S027	10-32 Thin Nylock
S010	Rivet	S028	Handle Adaptor Stud
S011	Leaf Spring	SA030	Nail Spotter Handle
SA011	Leaf Spring and Assembly	S034	3-48 x 5/16 Flt Hd Screw
S012-50	Axle Wiper 55mm	S035	Angle Bracket
S012-75	Axle Wiper 75mm	S037	Pivot Axle
S013-50	Wheel Axle 55mm	S039	Nyliner
S013-75	Wheel Axle 75mm	S044	6-32 Hex Nut
S014	Wheel	S050-50	Blade Clamp 55mm
		S050-75	Blade Clamp 75mm
		S052	Nail Spotter Spring

* Please specify a size when ordering. * For NS-XH please see XH diagram

Use only genuine Tapepro parts on Tapepro Drywall Tools. Using other brands parts on a Tapepro tool may affect the operation of the product and void warranty.





Tapepro gives you the professional edge



In today's competitive industry, where time is money, Tapepro drywall Tools offers the contractor the ability to increase productivity and profits. Manufactured with state of the art precision for ease of operation on every job, Tapepro tools consistently deliver a quality finish.

With a three year warranty and the largest after market technical support program available, Tapepro Drywall Tools are the best investment you can make.



All manufacturing faults are covered under the warranty.
All non wear parts are covered under a 3 year warranty

Proudly Australian Work smarter with

TAPEPRO DRYWALL TOOLS



P +61 7 5520 6022 • F +61 7 5520 5973 • E info@tapepro.com • W www.tapepro.com

Tapepro Drywall Tools maintains a full service and repair facility.
Ask your distributor for details, or contact Tapepro